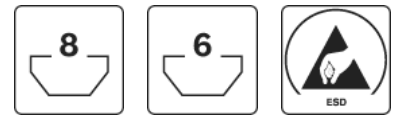


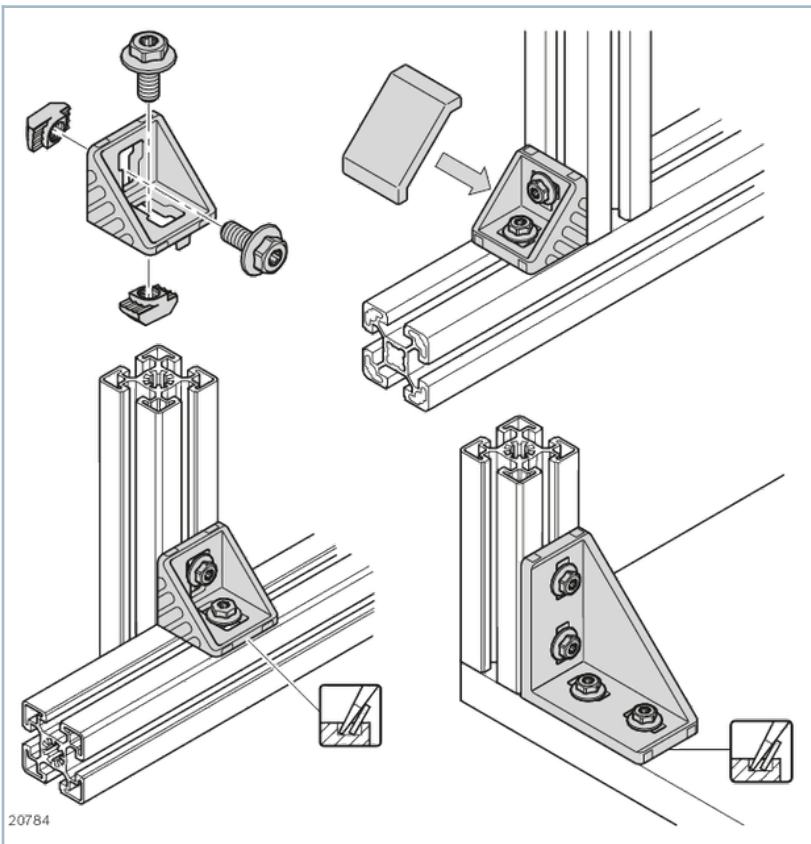
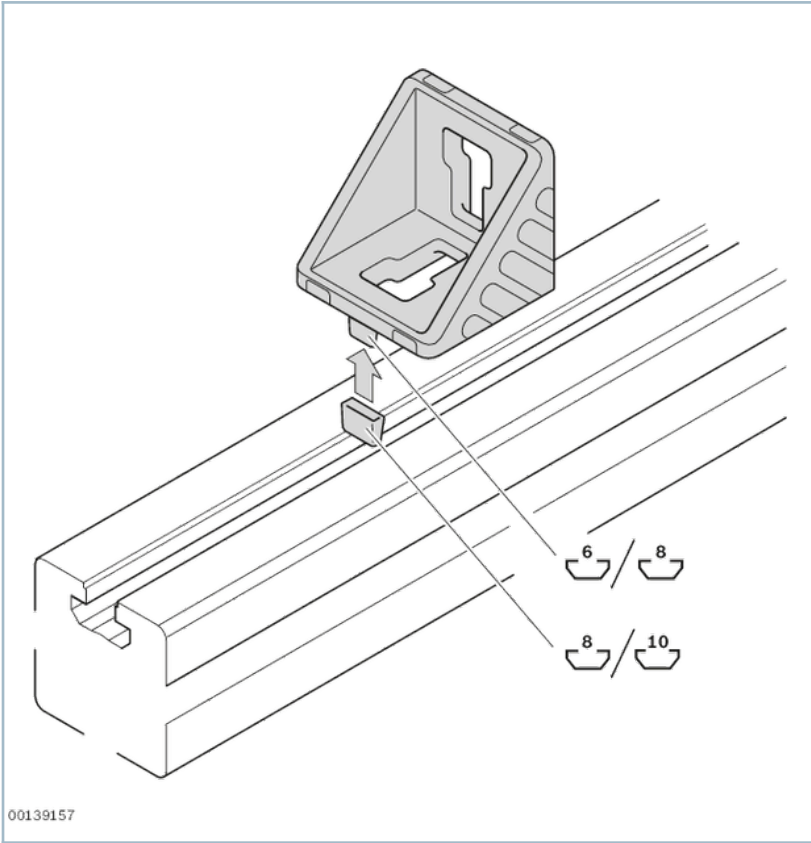
Bracket 20/20



- Brackets with centering lugs for rapid, precise assembly with protection against turning
- Centering lugs can be easily broken off for assembly on plates or at right angles to the slot
- Version *designLINE* with special silver paint (RAL 9006) for an especially high-quality design
- Intermediate element for positioning brackets in the next largest slot
- Cover cap to protect from dirt, available in signal gray (RAL 7004) and black ESD (RAL 9005)

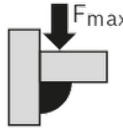
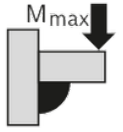
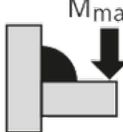




- Profile finishing: not required

Product description



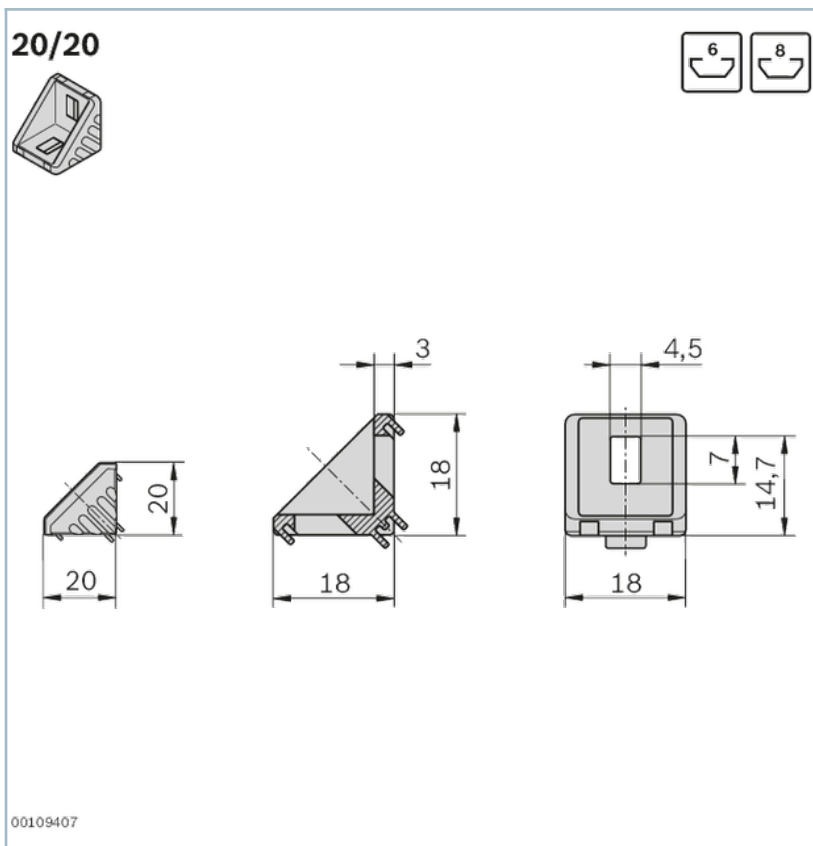
Connection elements, selection criteria

Technical data

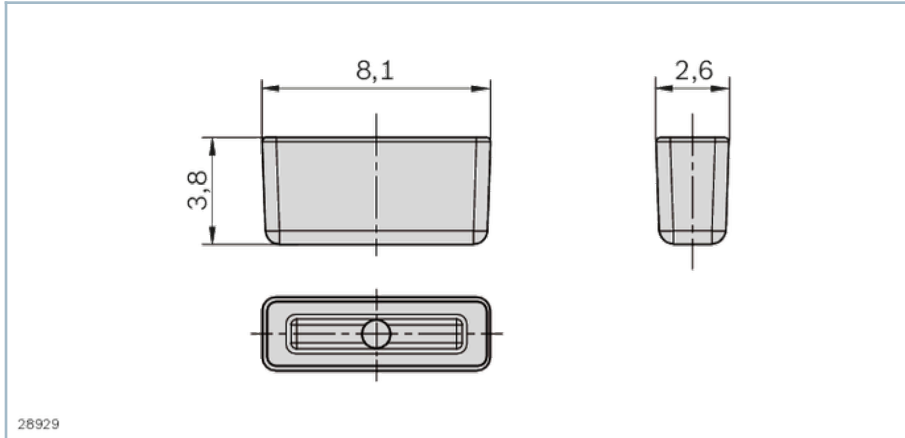
	Groove	E S D	Material entry			
				F_{\max}	M_{\max}	M_{\max}
				N	Nm	Nm
Bracket 20x20 set (standard)	6	 Bracket: Diecast aluminum, vibratory ground Fastening material: steel; galvanized		700	6	25
Bracket	6	 Bracket <i>designLINE</i> : Diecast aluminum; vibratory ground, painted (RAL 9006) Fastening material: steel; galvanized		700	6	25
Bracket 20x20 (standard)	6	 Bracket: Diecast aluminum, vibratory ground		700	6	25
Cover cap for bracket		PP				
		 PP				
Intermediate element for 8 mm slot	6; 8	PA; black				

Dimensions

Bracket 20/20 with cover cap



Intermediate element for 8 mm slot



Accessories

Recommended accessories

Intermediate element for 8 mm slot

Cover cap for bracket 20/20, signal gray





Cover cap for bracket 20/20, black

Delivery notes

FS1



Ordering codes

	Groove	ESD	FS	No.
Bracket 20x20 set (standard) ¹⁾	6		2XFS1	3842523511
Bracket 20x20 set design <i>LINE</i> ¹⁾	6		2XFS1	3842551596
Bracket (standard) 20x20	6			3842523508
Cover cap for bracket 20/20, signal gray				3842548842
Cover cap for bracket 20/20, black				3842548843
Intermediate element for 8 mm slot	6; 8			3842523516

1) Set incl. fastening material