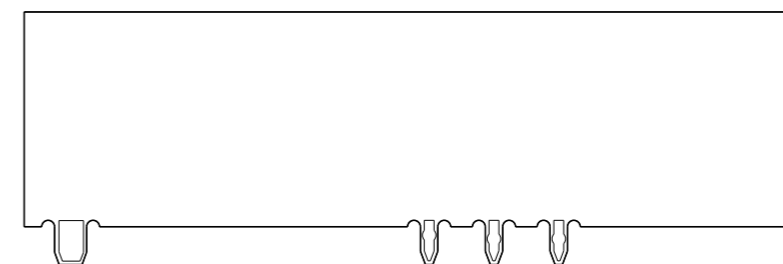
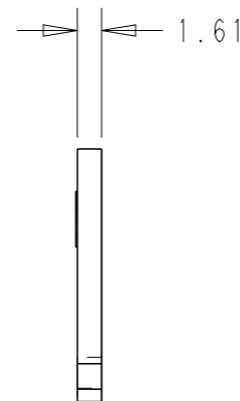
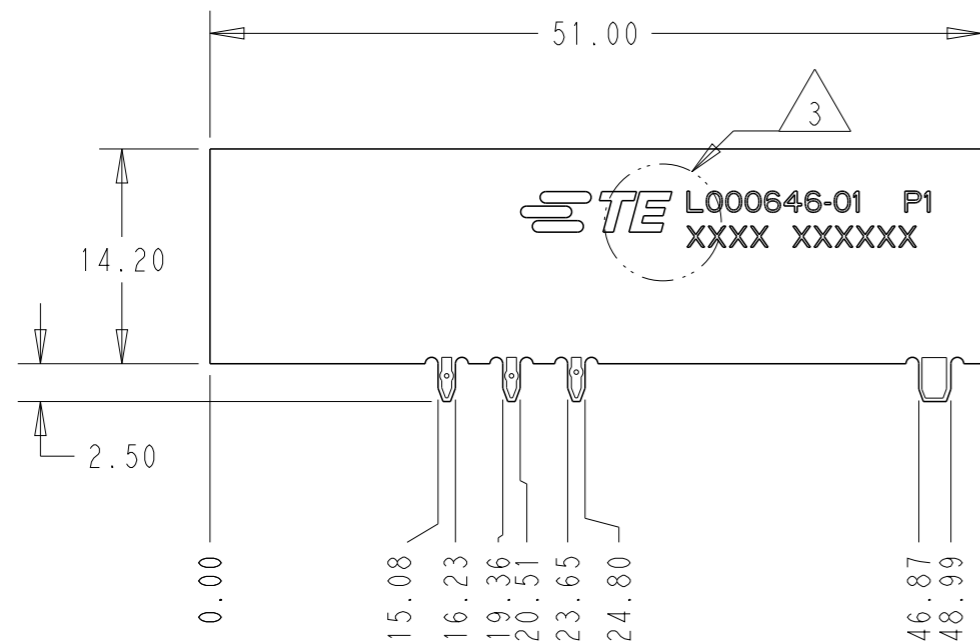


P	LTR	DESCRIPTION	DATE	DWN	APVD
1		NEW DRAWING	28JUN2024	DC	NW
A		GTP ECN-24-279601	12AUG2024	DC	NW

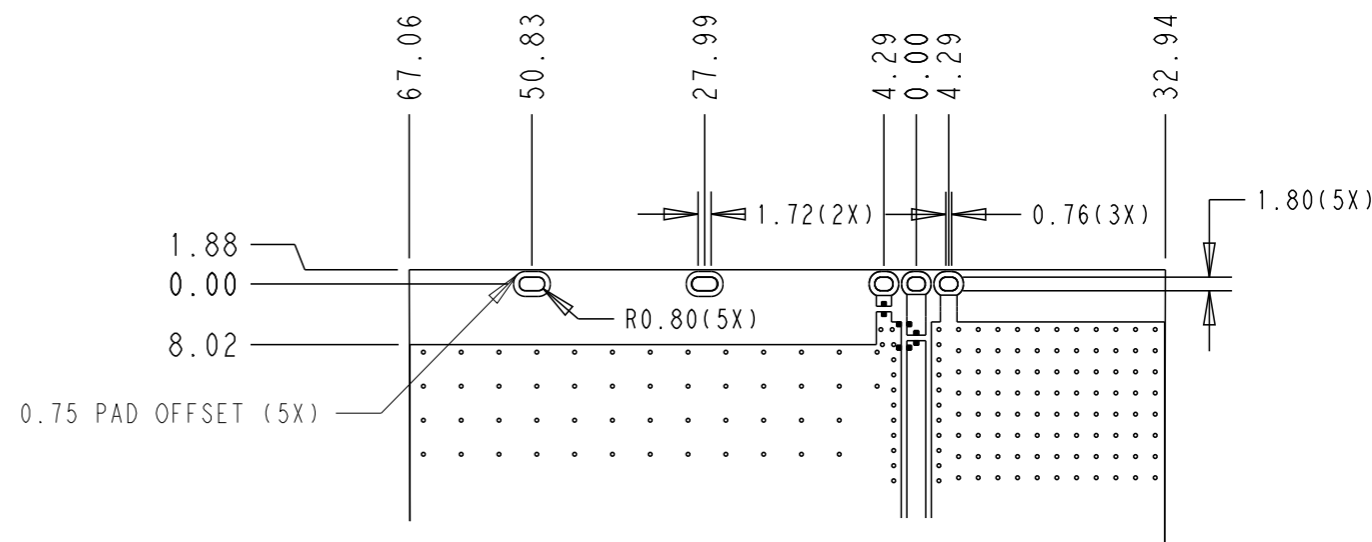


NOTE

- FABRICATE TO MEET IPC-6012, CLASS 2
INSPECT TO MEET IPC-A-600, CLASS 2
- MATERIAL :PCB RF-4

3. SILKSCREEN; WHITE EPOXY INK
- TE LOGO, P/N
 - WORD REV, FOLLOWED BY LATEST REVISION LETTER AS SHOWN
 - 4 DIGIT DATE CODE 1ST 2 DIGITS FOR WEEK CODE AND THE 2ND TWO DIGITS FOR YEAR CODE, OTHERS SOECIFIC TE SOURCE CODE NUMBER AS REQUIRED

4. FINISH
- PLATING : 1/2 OZ COPPER (FOR THROUGH HOLE)
 - SOLDERMASK OVER BARE COPPER(SMOBC)
 - SOLDERMASK COLOR : ORANGE
- CONSULT TE CONNECTIVITY DATASHEET L000646
 - PACKAGE INNER BOX PACKAGED IN BULK
 - CONTACT TE CONNECTIVITY ENGINEERING PRIOR TO DESIGN INTO AN APPLICATION
 - COMPLIANCE ROHS STANDARDS PER TE CONNECTIVITY TEC-138-702
 - GENERAL TOLERANCE 0.2mm

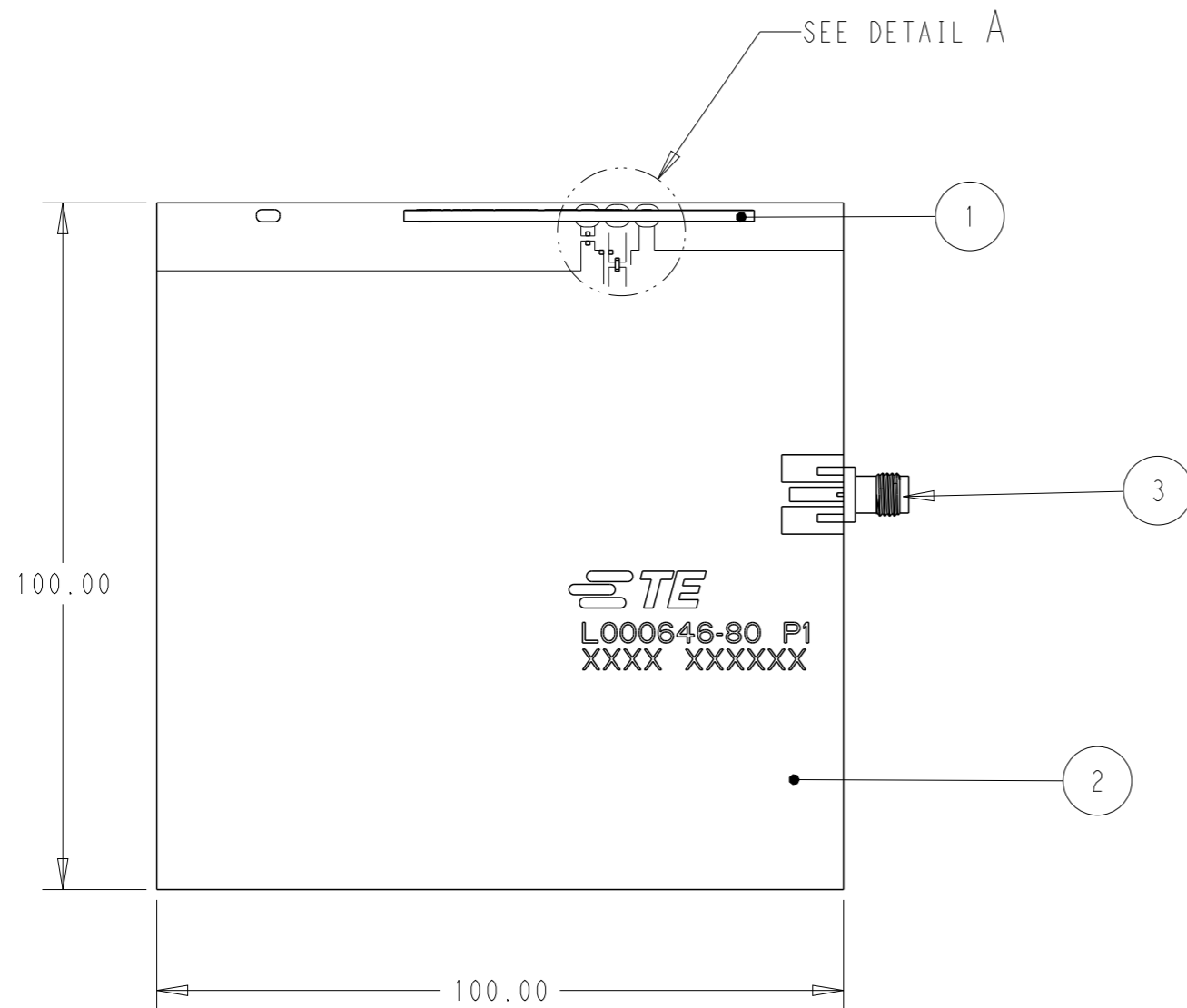


REFERENCE PCB LAYOUT

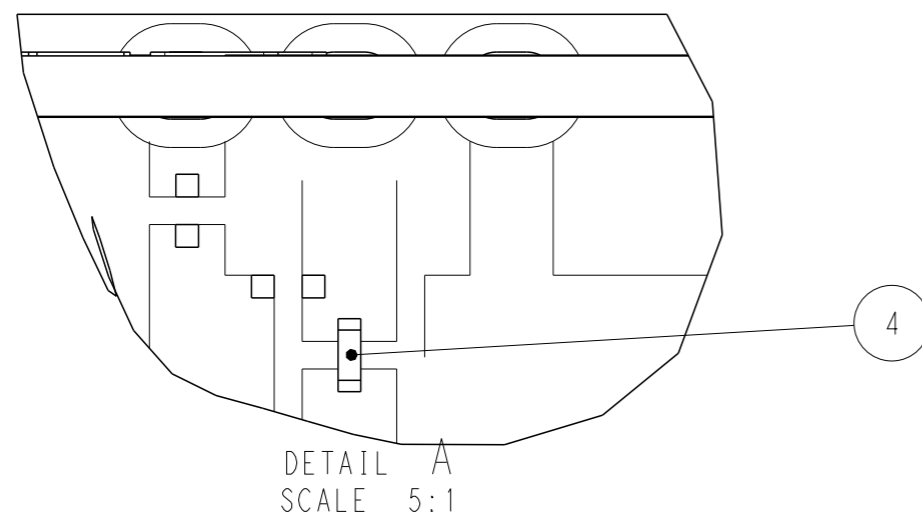
L000646-01
PART NUMBER

THIS DRAWING IS A CONTROLLED DOCUMENT.		DWN DC	19APR2024	TE Connectivity	
DIMENSIONS: mm		CHK SJ	26JUN2024		
TOLERANCES UNLESS OTHERWISE SPECIFIED:		APVD NW	26JUN2024	NAME 1000646-80	
0 PLC ±- 1 PLC ±- 2 PLC ±0.2 3 PLC ±- 4 PLC ±- ANGLES ±-		PRODUCT SPEC -		1557-7125MHz	
MATERIAL TBD material_2		FINISH -		APPLICATION SPEC -	RESTRICTED TO -
		WEIGHT -	SIZE A3	CAGE CODE 00779	DRAWING NO G=L000646
CUSTOMER DRAWING			SCALE 1:1	SHEET 1 OF 2	REV A

P	LTR	DESCRIPTION	DATE	DWN	APVD
-	-	SEE SHEET 1	-	-	-



1. MATERIAL :SEE TABLE
2. MATCHING CIRCUIT CONNDITION :SEE TABLE
SMA FEMALE UP TP 10 GHZ
3. SILKSCREEN; WHITE EPOXY INK
4. CONSULT TE CONNECTIVITY DATASHEET L000646
5. PACKAGE INNER BOX PACKAGED IN BULK
6. CONTACR TE CONNECTIVITY ENGINEERING
PRIOR TO DESIGN INTO AN APPLICATION
7. SILKSCREEN; WHITE EPOXY INK
A. TE LOGO, P/N
B. WORD REV, FOLLOWED BY LATEST REVISION LETTER AS SHOWN
C. 4 DIGIT DATE CODE 1ST 2 DIGITS FOR WEEK CODE AND THE 2ND TWO DIGITS FOR YEAR CODE, OTHERS SOECIFC TE SOURCE CODE NUMBER AS
8. COMPLIANCE ROHS STANDARDS PER TE CONNECTIVITY TEC-138-702



L000646-80
PART NUMBER

QTY	DESCRIPTION	ITEM
1	RESISTOR 0ohm	4
1	SMA FEMALE to 10GHZ	3
1	EVALUATION PCB	2
1	PCB ANTENNA	1

THIS DRAWING IS A CONTROLLED DOCUMENT.		DWN DC 19APR2024	TE Connectivity	
DIMENSIONS: mm		CHK SJ 26JUN2024		
TOLERANCES UNLESS OTHERWISE SPECIFIED:		APVD NW 26JUN2024	NAME 1000646-80	
0 PLC ±-		PRODUCT SPEC -	1557-7125MHZ	
1 PLC ±-		APPLICATION SPEC -	SIZE A3	CAGE CODE 00779
2 PLC ±0.2		WEIGHT -	DRAWING NO	RESTRICTED TO
3 PLC ±-		CUSTOMER DRAWING	©=L000646	-
4 PLC ±-			SCALE 1:1	SHEET 2 OF 2
ANGLES ±-				
MATERIAL TBD material_2	FINISH - finish_spec_2			