

D-Sub Slimline

RIGHT ANGLE SMT

GENERAL



The ultra-slim D-Sub excels due to its space-saving design that distinctively reduces the board space necessary. Hereby, miniaturization and robustness of I/O interfaces in industrial applications are no longer incompatible.

The slimline connector is available as plug and socket for fully-automated board assembly and is suitable for modern reflow soldering processes.

Customer benefit: efficiency in board assembly and reliability in the field. Combined with attractive conditions.

ERNI D-Sub Slimline: quality Made in Germany.

- ultra-slim design
- 66% less board space
- plug and socket 90° SMT
- 4 A / 20 °C
- tape and reel packaging
- threaded insert: M3 or #4-40 UNC

D-Sub Slimline

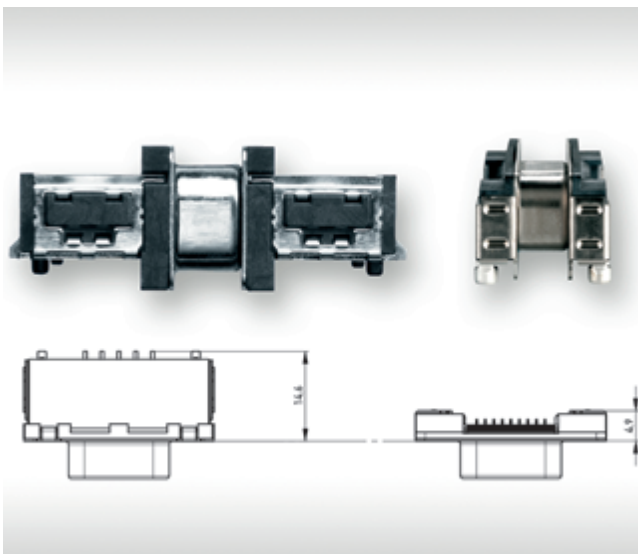
PLUG AND SOCKET, RIGHT ANGLED

FEATURES / BENEFITS



- Right angled plug and socket, 9 pin, SMT
- Dual-leaf spring contact guarantees excellent reliability
- Solderable retention pegs to absorb mechanical stress
- Lamella type shield fingers ensure a continuous ground path
- Current carrying: up to 4 A at 20 °C
- Hardware options mating side:
 - Threaded insert M3 or #4-40 UNC
 - Through hole 3.2 mm
- Tape and reel packaging for fully-automated board assembly

COMPARISON SLIMLINE VS. STANDARD D-SUB



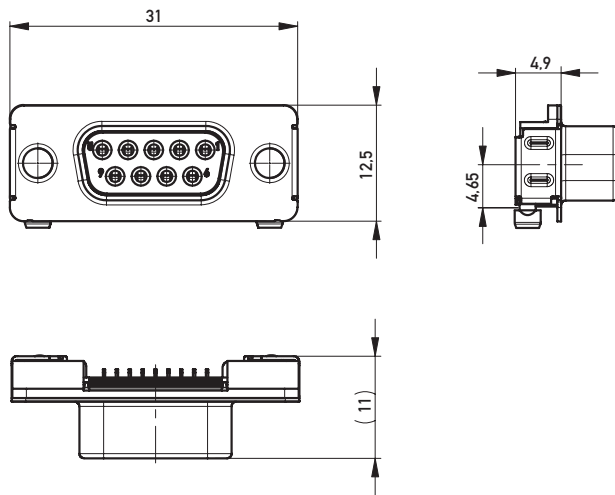
- Space-saving: needs only 33% of board space (compared to a conventional model)
- Solid design of retaining pegs offer better resistance to mating/unmating forces
- Wipe length 2.0 mm

D-Sub Slimline

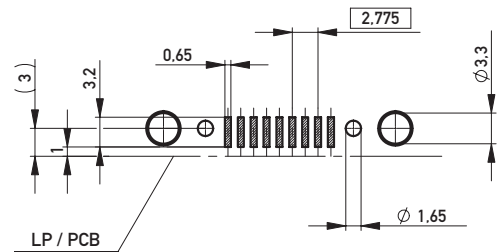
PLUG AND SOCKET, RIGHT ANGLED

DIMENSIONAL DRAWING

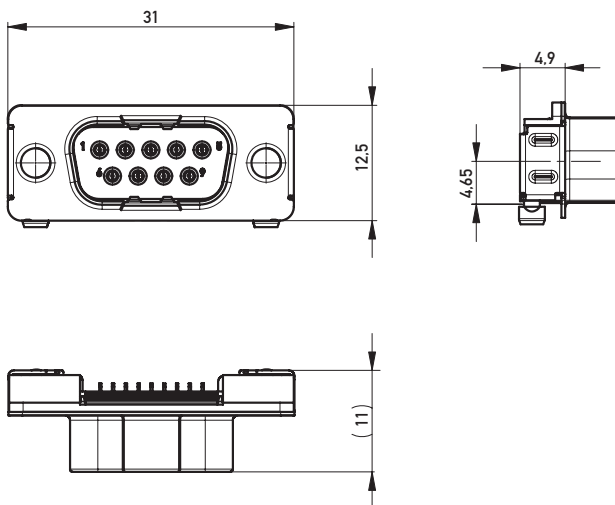
Socket 9 pin



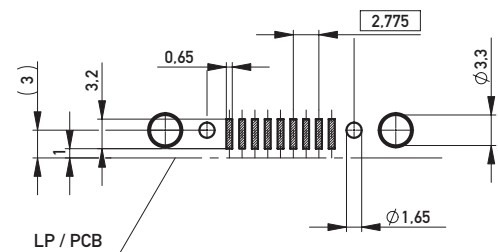
Recommended Layout



Plug 9 pin



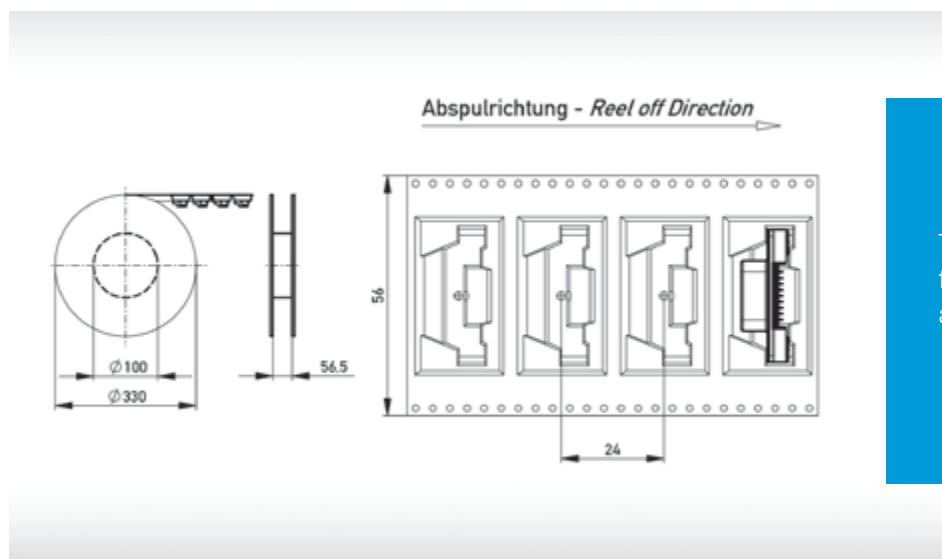
Recommended Layout



D-Sub Slimline

PLUG AND SOCKET, RIGHT ANGLED

PACKAGING



Tape and Reel packaging for fully-automated board assembly

ORDERING INFORMATION

Configuration	No. of Pins	Accessory Mating Side	Part Number
Socket	9	Through hole	394424
Socket	9	Thread M3	484833
Socket	9	Thread 4-40 UNC	484834
Plug	9	Through hole	394431
Plug	9	Thread M3	484835
Plug	9	Thread 4-40 UNC	484836