

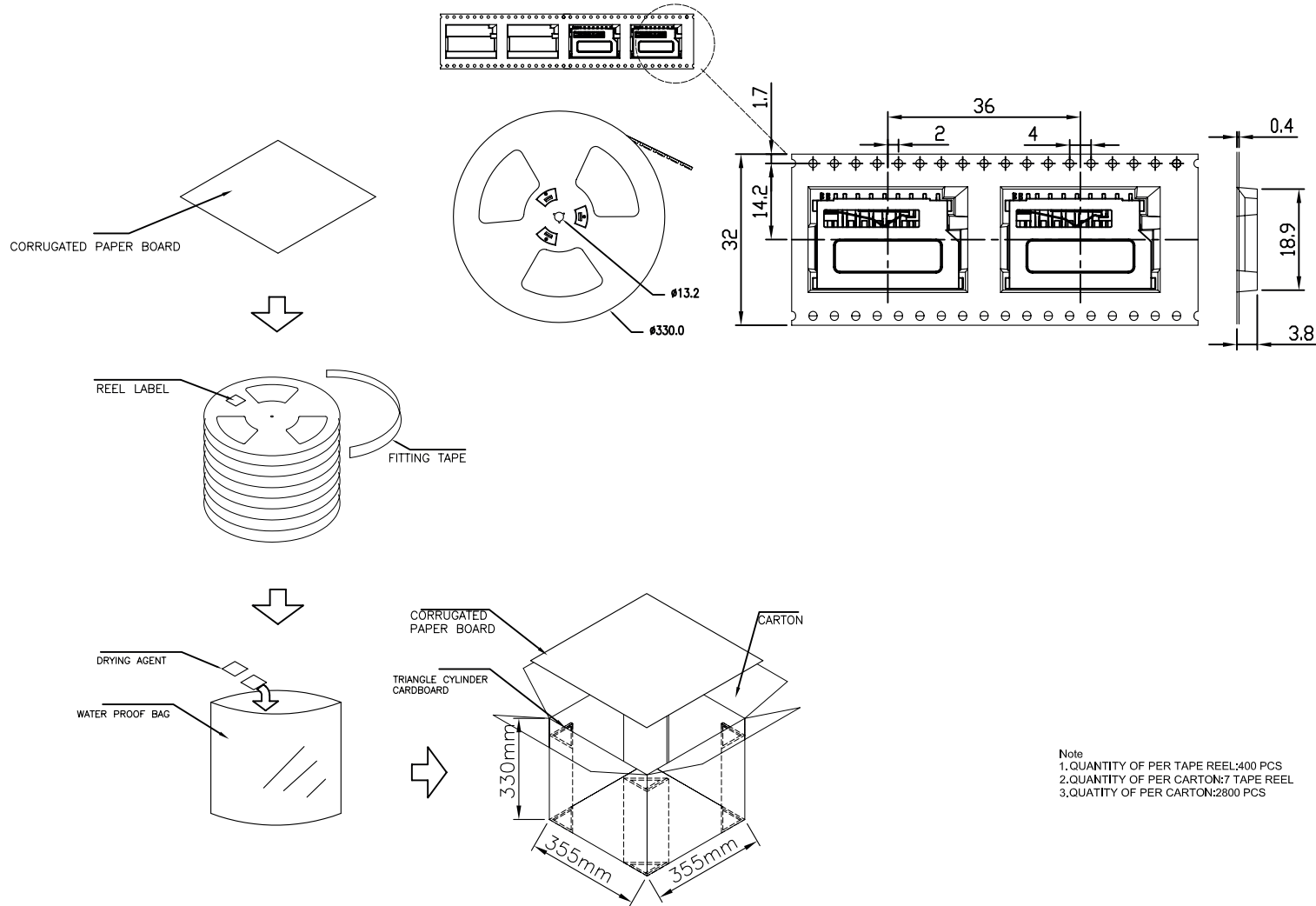
1

2

3

4

5



A

B

C

RoHS Compliant

PROJECTION:

GENERAL TOLERANCE

.X = ± 0.2

.XX = ± 0.15



APPROVAL: RJ

UNIT: MM

SCALE:

SHEET: 3/3

DRAW: VICKY

DESCRIPTION: SD Card Connector - Push & Pull - Short Type
With Card Detection - 9 pins

WERI PART NO: 693 063 020 911

SIZE
A4

D

REV	DATE	FILE	BY
-----	------	------	----