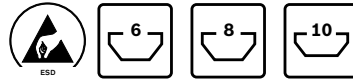


Central bolt, anti-torsion element, cover cap

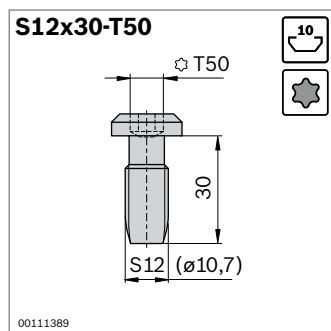
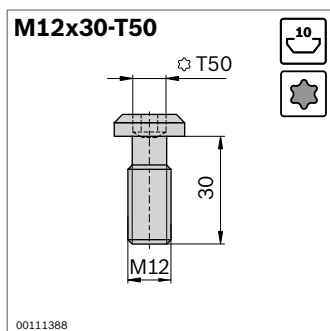
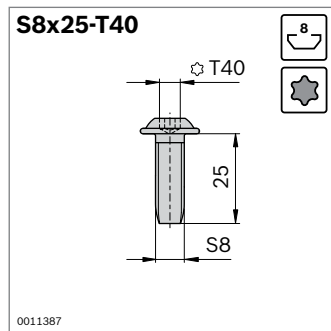
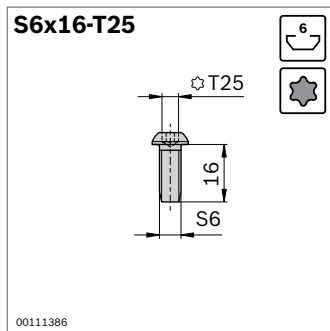


Central bolt

- ▶ Lowest-cost connecting element
- ▶ Self-tapping screw, can be mounted without profile finishing
- ▶ Profile finishing:
 - thread cutting for M12x30 screw
 - Through-hole for screwdriver/offset screwdriver

Tools:

Offset screwdriver (p. 14-6)



Central bolt	Slot	ESD	No.
S6x16-T25 (self-tapping)	6	⚠	100 3 842 528 593
S8x25-T40 (self-tapping)	8	⚠	100 3 842 527 174

Material: steel; galvanized

Central bolt	Slot	ESD	No.
M12x30-T50	10	⚠	100 3 842 530 235
S12x30-T50 (self-tapping)	10	⚠	100 3 842 530 236

Material: steel; galvanized

Size	F_{max}	M_{max}
S6	500 N	8 Nm
S8	800 N	43 Nm
S12	1300 N	80 Nm
M12	3000 N	80 Nm