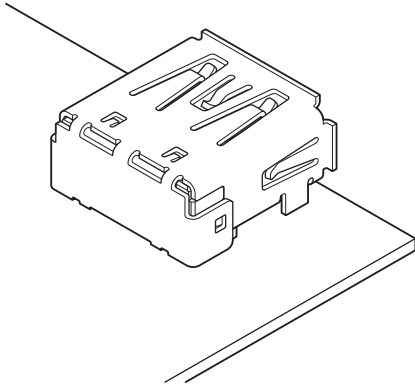




UB3 CONNECTOR

USB (Universal Serial Bus) Conforming Connector



This connector is an interface connector conforming to USB (Universal Serial Bus) 3.0 Standard.

- 5,000 cycles of mating/unmating is guaranteed.
- Shell strong structure
- Reverse of side spring
- Halogen-free

Specifications

- Current rating: VBUS & GND circuits (No.1 & 4 circuits) / 1.8A AC, DC
Other circuits (No. 2, 3, 5 to 9 circuits) / 0.25A AC, DC
- Voltage rating: 30V AC, DC
- Temperature rang: -25°C to +85°C (including temperature rise in applying electrical current)
- Contact resistance: Initial value/30m Ω max.
After environmental testing/10m Ω max. (variation from initial value)
- Insulation resistance: 100M Ω min.
- Withstanding voltage: 100V AC/minute
- Applicable PC board: Double-sided through-hole PCB (Unusable one-side PCB)

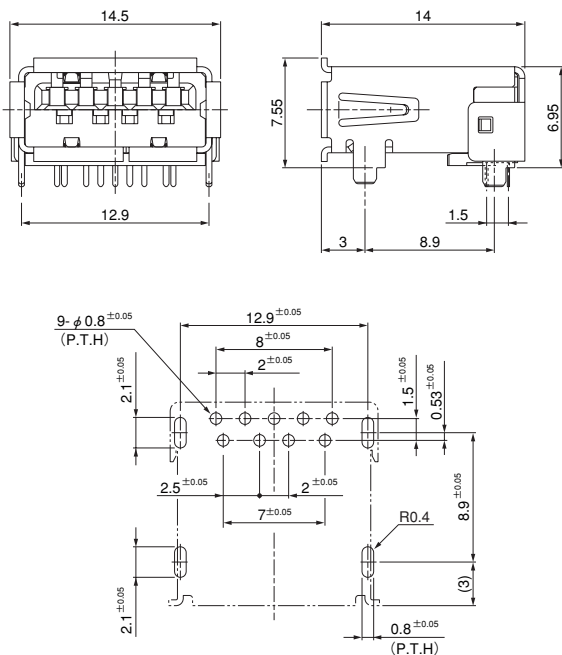
* Compliant with RoHS.

* Refer to "General Instruction and Notice when using Terminals and Connectors" at the end of this catalog.

* Contact JST for details.

Receptacle

Type A Normal



Note: The dimensions above should serve as a guideline. Contact JST for details.

Circuits	Model No.	Q'ty / box
9	UB3A-9R-D6C-112(HF)	2,618

Material and Finish

Contact A, B: Copper alloy, nickel-undercoated,
selective palladium-plated, gold-plated
Housing: Heat resisting resin, UL94V-0, blue
Shell: Stainless steel, nickel-undercoated, tin-plated

RoHS compliance