

AM Remote Control

100 metres Range

1 or 4 channel variants

High Security 1 Million possible Addresses

4 x Relay Outputs

Latch/Momentary Option

'Easy Learn'

CR2016 battery



Applications

- General Purpose Remote Switching
- Electric Gates
- Roller Shutter Doors
- Garden Lighting

Description

The LINCOLN is a versatile general purpose remote control, which can be used for controlling many different applications

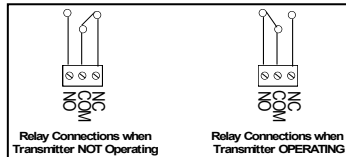
Supplied ready to go, the receiver contains changeover contact relays that are easy to connect via screw terminals.

Part Number	Description	Freq (MHz)	Range** (Metres)
LINCOLN-4S1	1 channel System	433	100
LINCOLN-4S4	4 channel System	433	100
LINCOLN-4T4	4 channel Transmitter Keyfob	433	100

* Range stated is optimal, in some conditions this may be dramatically reduced.

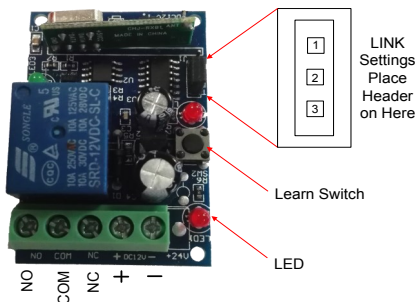
Connecting the Receiver Unit

Each Channel output relay provides an isolated changeover Contact. Outputs 2 to 4 Connections are Common (COM) and Normally Open (NO) which close together when activated. Output 1 has an additional Normally Closed (NC) changeover contact.

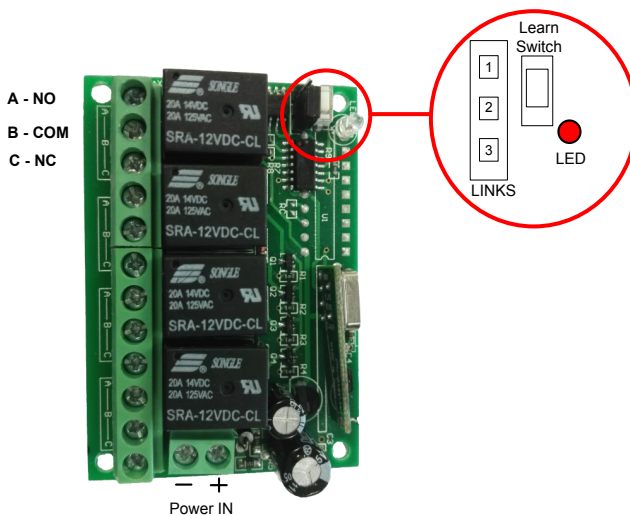


The action of the relay outputs is set by the Option link setting Jumper. A link is made / removed by the small shorting link 'cap' placed over the pin header.

LINCOLN-4S1 Receiver Circuit board



LINCOLN-4S1 Receiver Circuit board



Link Position Controls Outputs

Fitted 1-2= Momentary

Fitted 2-3= Latching

Not Fitted = FlipFlop

Momentary : The relay is activated for as long as transmitter button pressed.

Latching : The relay toggles between On / Off each button press.

FlipFlop : Relays 1 & 2 and 3 & 4 operate in pairs.

When button 1 is pressed relay 1 switches on, Relay 2 Switches off

When button 2 is pressed relay 2 switches on, Relay 1 Switches off

Relay 3 & 4 operate in the same manor to Transmitter buttons 3 & 4.

Learning a New Transmitter Keyfob

Briefly Press the "Learn Switch" on the receiver PCB, the receiver LED will illuminate.

Press any transmitter button once, the receiver LED will flash 3 times.

This transmitter will operate the system.

Erasing Existing Transmitters

Press and hold the receiver "Learn Switch", the receiver LED illuminates.

When the LED extinguishes (5-10 seconds) the Receiver is erased.

NOTE: You can not erase individual Tx encoders

NOTE: maximum of 45 button pairings per receiver

Enclosure dimensions:



LINCOLN-4S1
1 Relay Rx 33 x 81mm



LINCOLN-4S4
4 Relay Rx 54 x 74mm

Technical Specifications

LINCOLN Transmitter Key fob

Battery Type CR2016 (supplied)

Dimensions 59 x 34 x 12mm

Changing the battery

Remove the front panel from the back by carefully pushing a flat screwdriver down the side to separate the enclosure. Open the case and change the battery. Ensure you check the orientation.

ELECTRICAL CHARACTERISTICS	MIN	TYPICAL	MAX	DIMENSION
Supply Voltage for +12Vd	11	12	13	Vdc
Supply Current: Quiescent		11		mA
All relays operating S1		45		mA
All relays operating S4		210		mA
Relay Rating**				A
Operating Temperature	-20		+80	degC
Receiver Sensitivity		-105		dBm
Encoding System number of Combinations			1 Million	

**Please Note: The relay contacts in this unit are for functional use only and must not be used for isolation purposes

Quasaruk Ltd. Recycling Notice

Meets the following EC Directives:

DO NOT

Discard with normal waste, please recycle.

ROHS Directive 2002/95/EC

Specifies certain limits for hazardous substances.

WEEE Directive 2002/96/EC

Waste electrical & electronic equipment. This product must be disposed of through a licensed WEEE collection point. RF Solutions Ltd., fulfills its WEEE obligations by membership of an approved compliance scheme.



Waste Batteries and Accumulators Directive 2006/66/EC

Where batteries are fitted, before recycling the product, the batteries must be removed and disposed of at a licensed collection point.

Environment Agency producer registration number: WEE/JB0104WV.

Disclaimer:

Whilst the information in this document is believed to be correct at the time of issue, QuasarUK Ltd does not accept any liability whatsoever for its accuracy, adequacy or completeness. No express or implied warranty or representation is given relating to the information contained in this document. QuasarUK Ltd reserves the right to make changes and improvements to the product (s) described herein without notice. Buyers and other users should determine for themselves the suitability of any such information or products for their own particular requirements or specification(s). QuasarUK Ltd shall not be liable for any loss or damage caused as a result of user's own determination of how to deploy or use QuasarUK Ltd's products. Use of QuasarUK Ltd products or components in life support and/or safety applications is not authorised except with express written approval. No licences are created, implicitly or otherwise, under any of QuasarUK Ltd's intellectual property rights. Liability for loss or damage resulting or caused by reliance on the information contained herein or from the use of the product (including liability resulting from negligence or where QuasarUK Ltd was aware of the possibility of such loss or damage arising) is excluded. This will not operate to limit or restrict QuasarUK Ltd's liability for death or personal injury resulting from its negligence.