



HUBER+SUHNER[®] SENCITY[®] Urban 100 ANTENNA FOR WIRELESS COMMUNICATION

Mounting Instruction

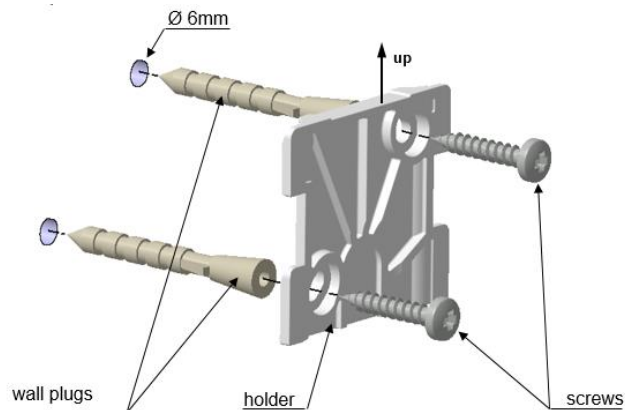


Keep away from catenary and high voltage lines.
Be careful when working at height!
Always secure ladders!
Always tighten screws!

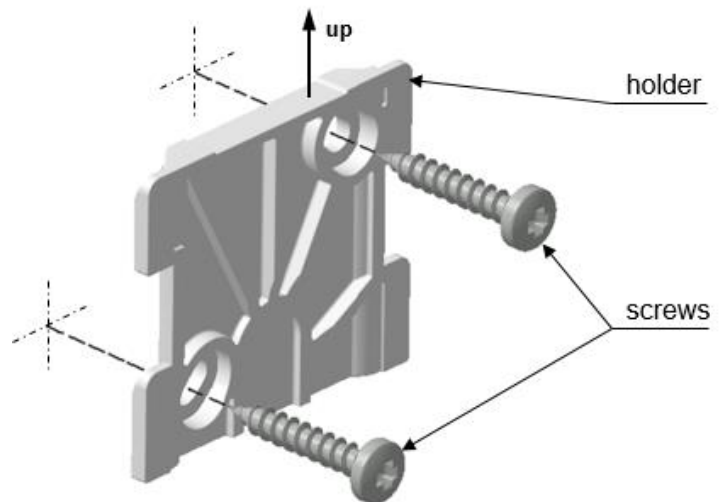
Holder mounting

Mount the holder on the wall
(screws and wall plugs are included)

a) mounting with wall plugs



b) mounting without wall plugs

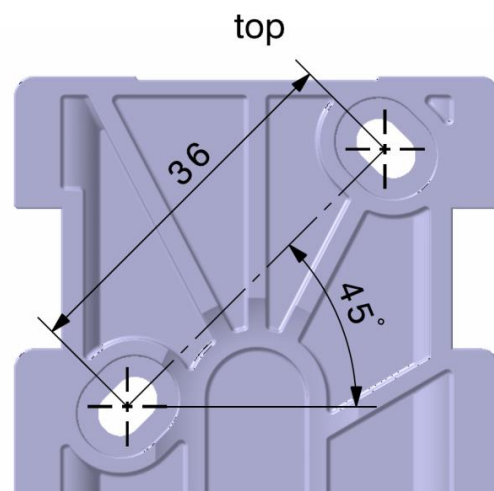


Drawing of mounting holes

(all dimensions in mm)



Do not use as 1:1 drilling template!

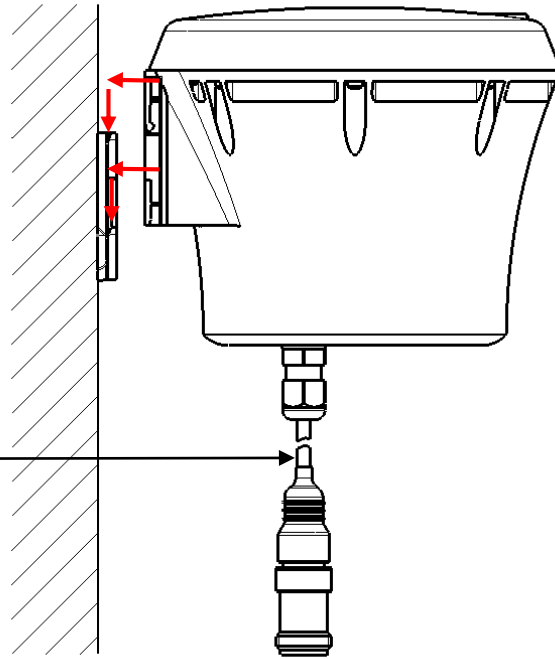


Antenna mounting

Mount the Antenna onto the holder
(Set the antenna on the guide
and press it down, until it engages)



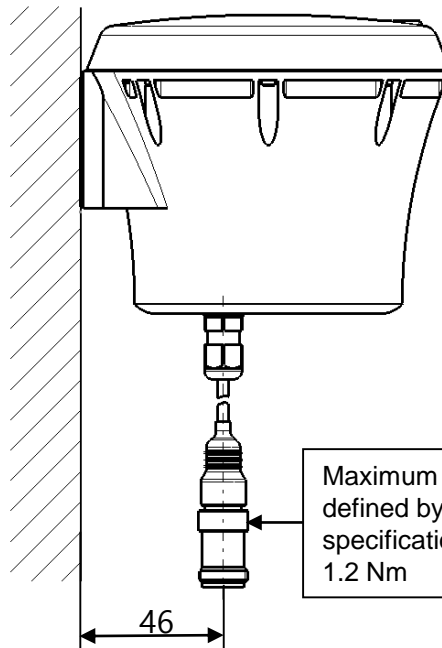
Relieve the cable attachment.
Avoid all twisting, tension and bending
forces.
During installation use following
bending radius for the cables:
> 5 mm (for 1 bending);
> 18mm (for repeated < 50 bendings)



Note:
Push upwards for
Releasing the antenna

Connection of cables

Connect the cables. Hold the pigtail connectors
during cable attachment. Avoid all tension,
torsion and bending forces.



Maximum coupling nut torque is
defined by the connector (interface
specification) but should not exceed
1.2 Nm

HUBER+SUHNER is certified according to ISO 9001 and ISO 14001,
ISO/TS 16949 and IRIS.

WAIVER!

It is exclusively in written agreements that we provide our customers with warrants and representations as to the technical contained specifications and/or the fitness for any particular purpose. The facts and figures herein are carefully compiled to the best of our knowledge, but they are intended for general informational purposes only.



HUBER+SUHNER AG
RF Technology
9100 Herisau, Switzerland
Phone +41 (0)71 353 41 11
Fax +41 (0)71 353 47 51
www.hubersuhner.com

HUBER+SUHNER – Excellence in Connectivity Solutions

Doc. No. 0000832784
Art. No. 85113884
Revision G