

A

B

C

D

1

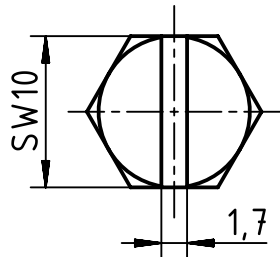
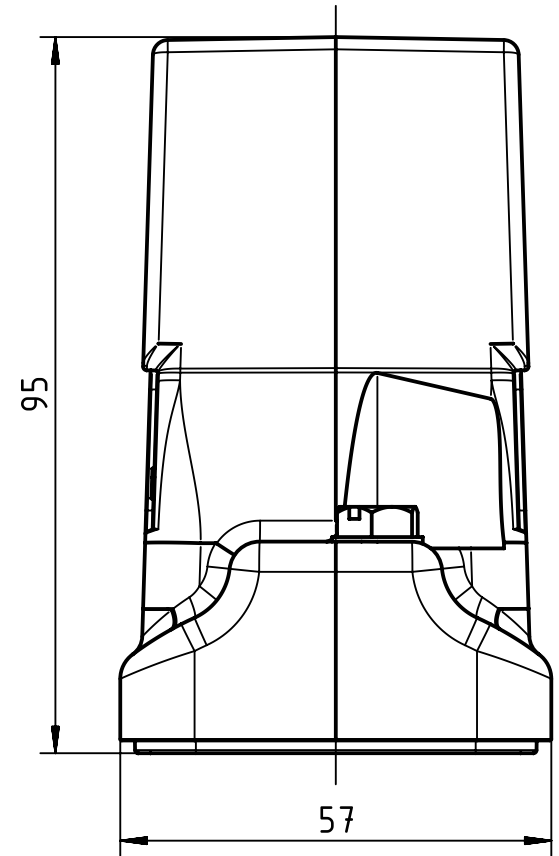
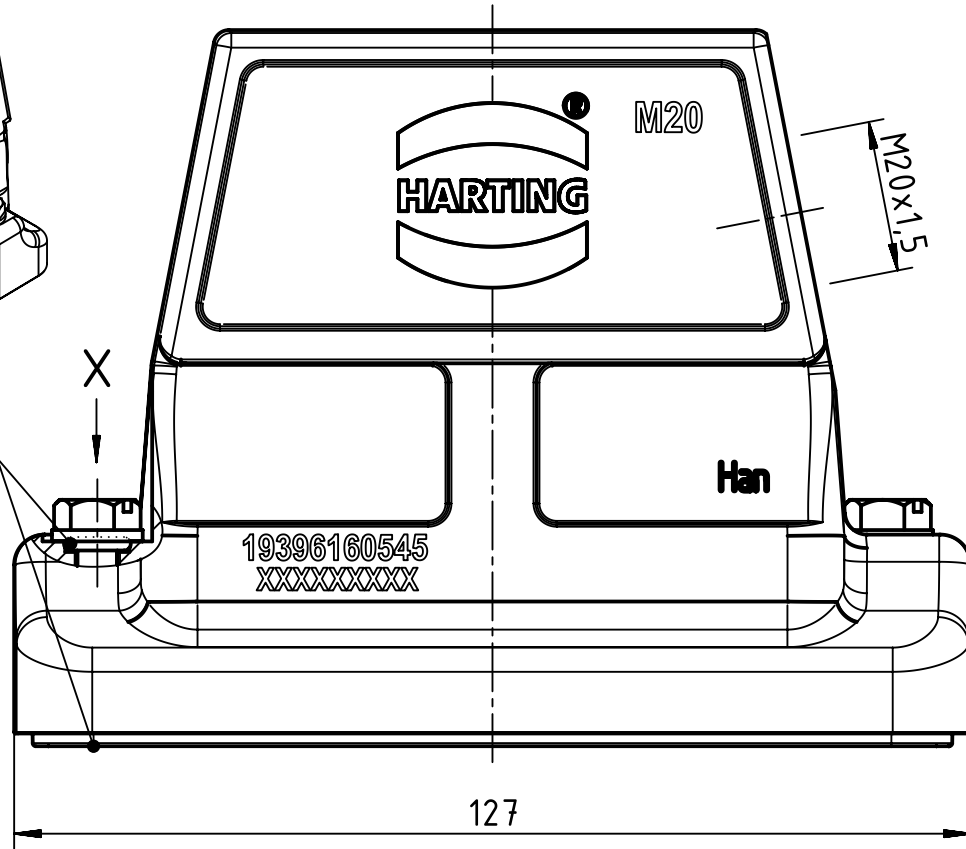
2

3

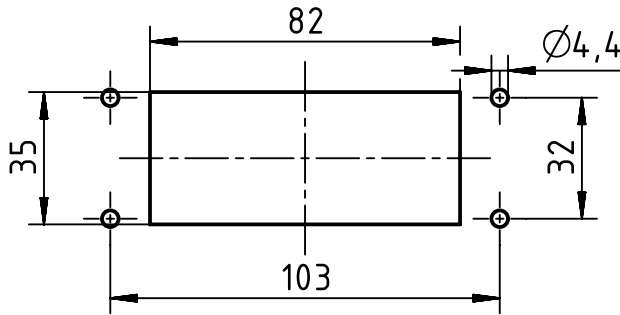
4

5

6



Panel cut out (1:2)



	All Dimensions in mm Original Size DIN A4		Scale 1:1	Free size tol.		Ref.	
	All rights reserved Department EL PD - CN		Created by LONGL	Inspected by WENE	Standardisation SCHMIDTM	Date 2017-03-20	State Final Release
HARTING (Zhuhai) Manufacturing Co., Ltd. 519085 Zhuhai, China			Title <b>Han 16HP Direct/B-HSE-M20</b>			Doc-Key / ECM-Nr. 100663226/UGD/002/C 500000116961	
			Type TB	Number 19 39 616 0545		Rev. C	Page 1/1