

**Ordering number C12481_MIRELLA-50-M-PIN**

Family	Mirella	FWHM	22 degrees
Type	Reflector	Efficiency	91 %
LED	XM-L2	cd/lm	3.100
Color	Metal	Gerber File	Available
Diameter	49.9 mm		
Height	23.9 mm		
Style	Round		
Optic Material	PC		
Holder Material	-		
Fastening	Pin		
Status	Ready		

Please note that the position pin holes come very close to the L

Ordering number C12482_MIRELLA-50-W-PIN

Family	Mirella	FWHM	39 degrees
Type	Reflector	Efficiency	89 %
LED	XM-L2	cd/lm	1.500
Color	Metal	Gerber File	Available
Diameter	49.9 mm		
Height	23.9 mm		
Style	Round		
Optic Material	PC		
Holder Material	-		
Fastening	Pin		
Status	Ready		

Please note that the position pin holes come very close to the L

NOTE: The typical divergence will be changed by different color, chip size and chip position tolerance. The typical total divergence is the full angle measured where the luminous intensity is half of the peak value.



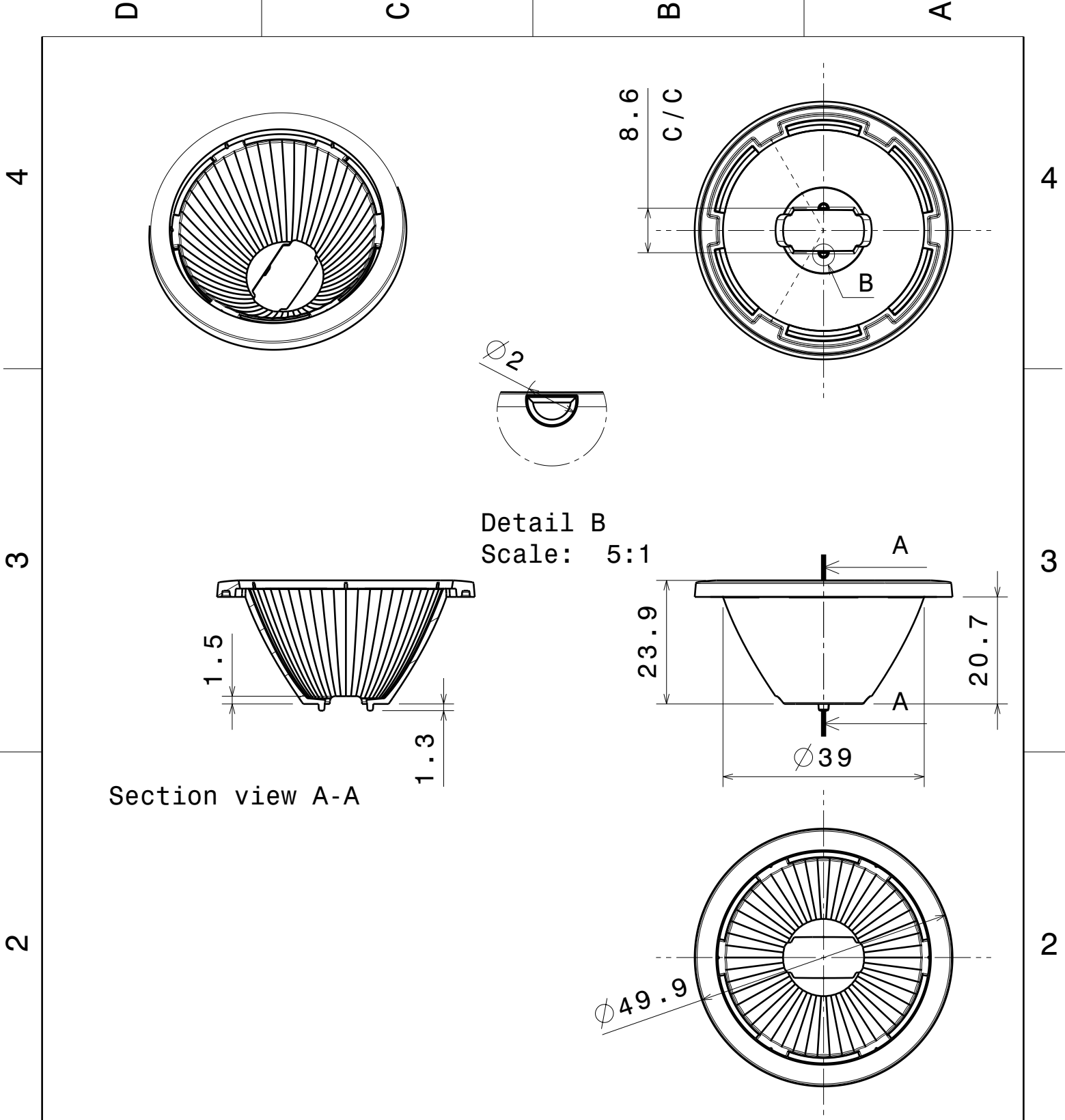
PRODUCT DATASHEET

Mirella series

last update 18/2/2013

GENERAL INFORMATION

- Product series especially designed & optimized for XM-L2 series of LEDs.
- Special care taken to make light distribution as uniform as possible.
- Reflector is made of aluminium coated PC (120 degrees of Celcius / 248 degrees of Fahrenheit) with protective lacquer (110 degrees of Celcius / 230 degrees of Fahrenheit).



Section view A-A

Detail B
Scale: 5:1

Material: PC, metal plated

This drawing is our property.
It can't be reproduced
or communicated without
our written agreement.



Ledil Oy
Salorankatu 10
FIN-24240 SALO
Finland

DRAWING TITLE

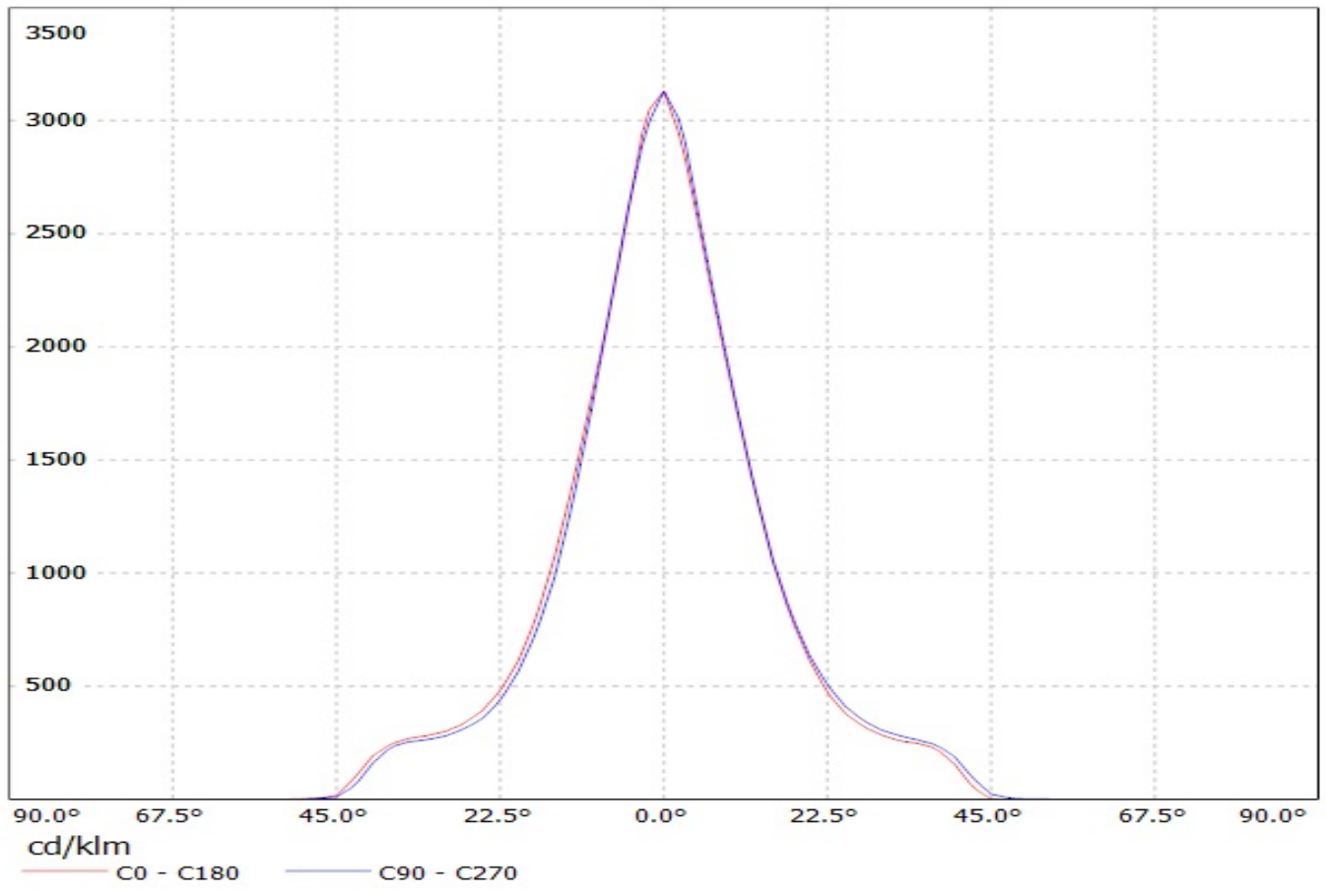
Datasheet Mirella pin reflector

DRAWN BY pl		DATE 25.11.2011		DRAWING NUMBER			REV 1
CHECKED BY		DATE		SCALE A4		WEIGHT (g)	
DESIGNED BY pl		DATE 25.11.2011		SCALE 1:1		SHEET 1/1	

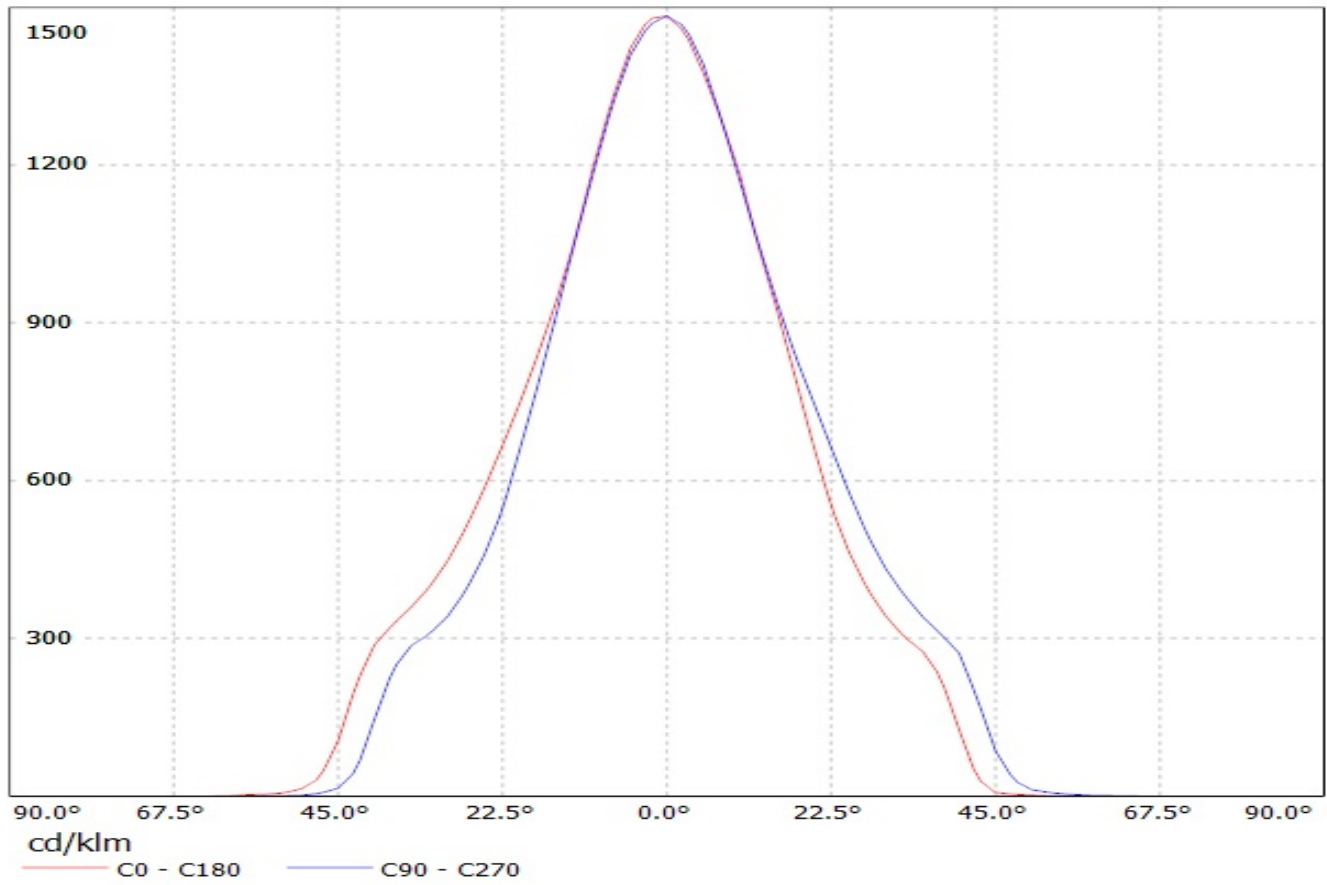
D

A

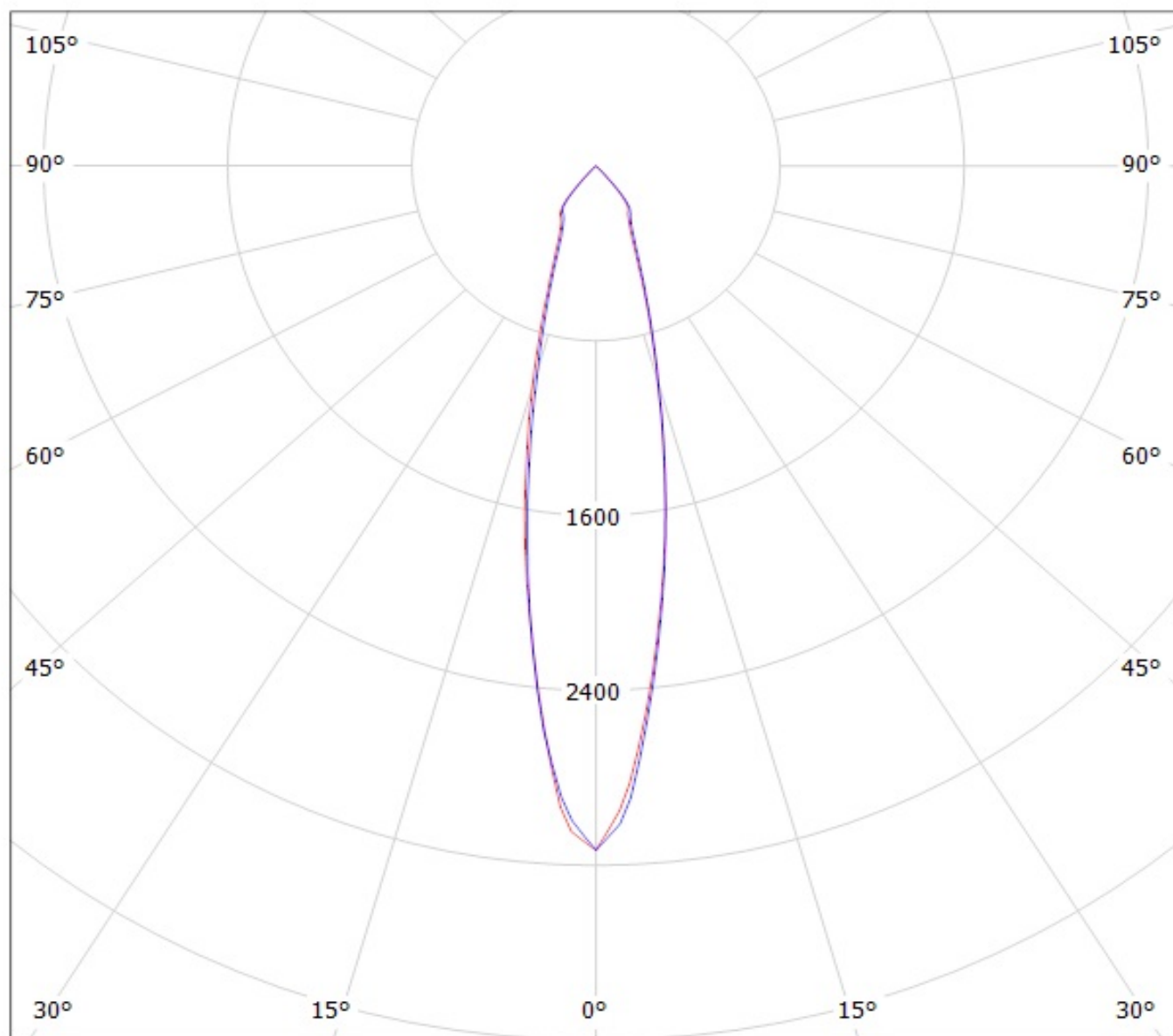
Luminaire: Ledil Oy C12481_MIRELLA-50-M-PIN (Cree XM-L2 100lm @ 250mA) Efficiency=91%
Lamps: 1 x Cree XM-L2 100lm @ 250mA



Luminaire: Ledil Oy C12482_MIRELLA-50-W-PIN (Cree XM-L2 100lm @250mA) Efficiency=89%
Lamps: 1 x Cree XM-L2 100lm @250mA



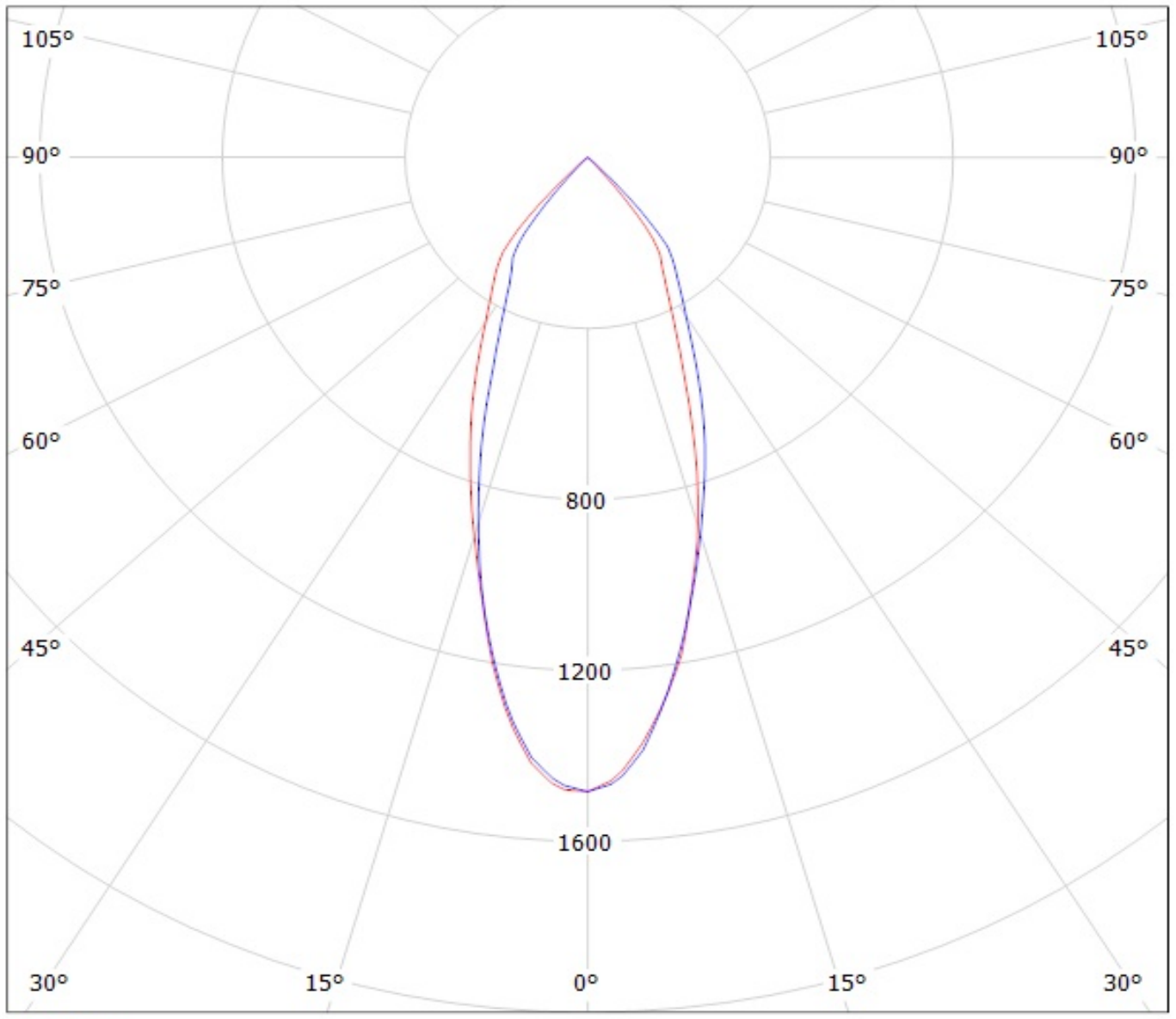
Luminaire: Ledil Oy C12481_MIRELLA-50-M-PIN (Cree XM-L2 100lm @ 250mA) Efficiency=91%
Lamps: 1 x Cree XM-L2 100lm @ 250mA



cd/klm

— C0 - C180 — C90 - C270

Luminaire: Ledil Oy C12482_MIRELLA-50-W-PIN (Cree XM-L2 100lm @250mA) Efficiency=89%
Lamps: 1 x Cree XM-L2 100lm @250mA



cd/klm
— C0 - C180 — C90 - C270