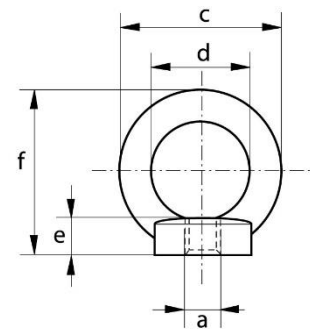
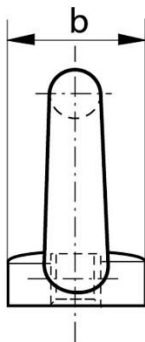


Datasheet

# 10mm ZINC PLATED EYE NUT

## DIN 582 SWL:230Kg

RS Stock No: 1244841



### Product details

**Material:** Carbon steel, C15

Suitable for lifting and securing.

RS Article No	Working Load Limit	Diameter Thread	Diameter Base	Diameter Eye Outside	Diameter Eye Inside	Thickness Base	Height	Weight per 100 pcs
	tonnes	a mm	b mm	c mm	d mm	e mm	f mm	kg
1244841	0.23	10	25	45	25	10	45	9.4