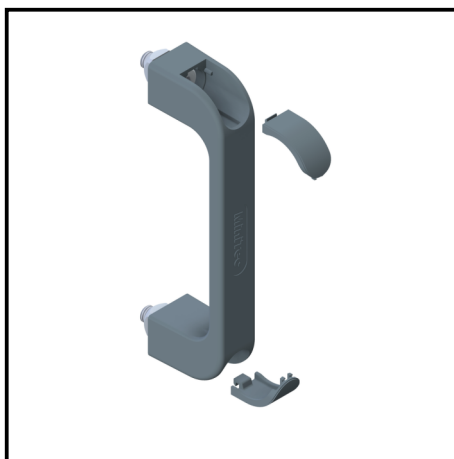
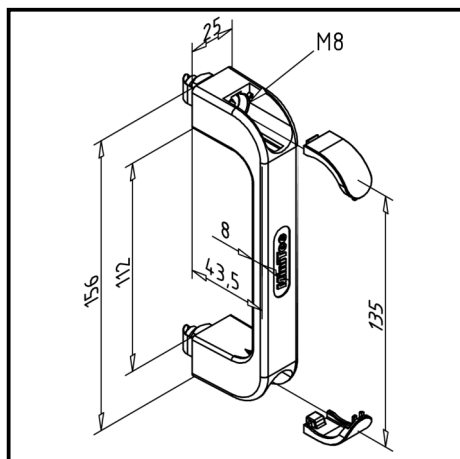


## HANDLE 135-45 F GREY

Article Nr. 21.2530/7

See the product on the website →



### TECHN. DATA / ITEMS SUPPLIED

- PA, grey
- With fastening material steel, zinc plated
- Weight = 0.081 kg/piece

### APPLICATIONS

- Doors
- Lids
- Guard units

### ASSEMBLY

- Fasten to profile groove with supplied hardware
- Directly on surface element with cylinder head screw M8