

General purpose switch E-Series



Electrical rating and operating life

Switch series	Electrical rating according to EN 61058-1	Electrical rating according to UL 1054	Electrical life for 40T85 (operations)	
			to EN	to UL
E13/E19	N/A	15A, 125/250VAC; 3/4HP, 125VAC; 1-1/2HP, 250VAC; 2A, 48VDC (E13 Only)	N/A	6.000*
E19A (mixed ratings)	N/A	15A, 125/250VAC; 3/4HP, 125VAC; 1-1/2HP, 250VAC; 0.1A, 125VAC	N/A	6.000
E14/E25	N/A	25A, 125/250VAC; 1HP, 125VAC; 2HP, 250VAC; 2A, 48VDC (E14 Only)	N/A	6.000
E20	N/A	20A, 125/250VAC; 1HP, 125VAC; 2HP, 250VAC	N/A	6.000
E28/E29	N/A	30.1A, 125/250/277VAC; (UL Approved Only — Resistive Load Only)	N/A	6.000
E30	N/A	30.1A, 125/250VAC; 1HP, 125VAC; 2HP, 250VAC (UL Only)	N/A	6.000
G13/G20	N/A	0.1A, 125VAC; 0.1A, 30VDC (G13 Only)	N/A	6.000

Technical specifications

Electrical

Ambient temperature	105°C Std. (150°C and 200°C optional – E13, E14, E19, E20, G13) 85°C Std. (E28 and E29), 85°C Std. (150°C optional) E25
----------------------------	--

Flammability rating	UL94 HB
----------------------------	---------

Materials

Housing	General Purpose Phenolic
Actuator	Thermoplastic Nylon
Terminals	Brass (E13, E19, E19A, G13, G20), Silver-Plated Brass (E14, E20), Silver-Plated Copper (E28, E29, E30)
NO and NC terminals	Brass (E13, E19, E19A, G13, G20) Copper (E14, E20, E28, E29, E30)
Moving blade	Brass (E13, E19, E19A, G13, G20) Silver-Plated Beryllium Copper (E14, E20, E28, E29, E30)
Spring	Stainless Steel
Auxiliary actuator	Cold-Rolled Steel (Nickel-Plated)
Roller	Sintered Stainless Steel
Contacts	Gold Crosspoint (G13, G20, E19A) Silver-Cadmium Oxide (E13, E14, E19, E19A, E20, E28, E29, E30) Silver Alloy (E19A, E29, E30)

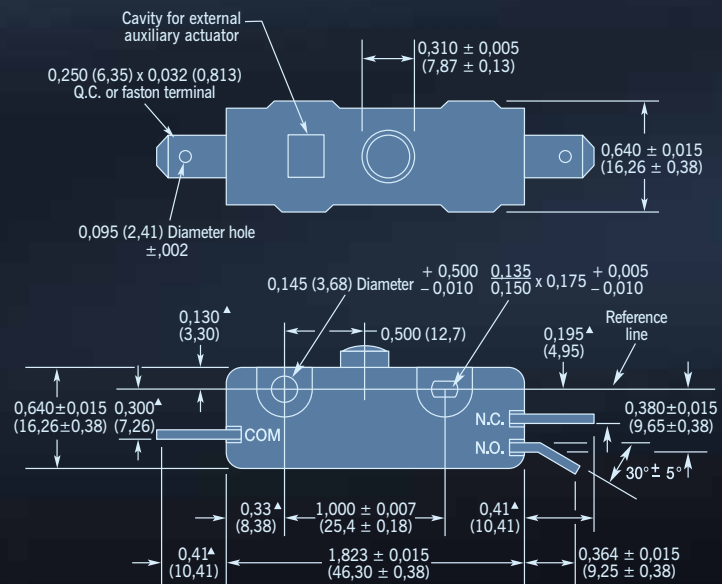
* Indicates 100K life available.

Features

- 5 current ratings
- Choice of actuator styles
- 3 terminal types (optional screw terminals available — consult factory)
- 3 contact arrangements
- Long-life coil spring mechanism
- High-temperature 150°C and 200°C available on select models (consult factory)

Dimensions in inch (mm)

Single pole version



▲ (All tolerance ±,015)

Preferred parts

Type	Order code	Electrical rating		Terminals	Auxiliary actuator	Operating force (cN)	Operating point (mm)	Max. pretravel (mm)	Min. overtravel (mm)	Differential travel max. (mm)
		EN	UL							
Single pole version	E13-00E	-	15A, 125/250 VAC 3/4HP, 125 VAC 1-1/2HP, 250 VAC 2A, 48VDC	Q.C. terminals 6,35x0,8mm	-	425	7,24 ± 0,51	1,27	2,54	0,4
	E13-00H	-	15A, 125/250 VAC 3/4HP, 125 VAC 1-1/2HP, 250 VAC 2A, 48VDC	Q.C. terminals 6,35x0,8mm	Straight, length 38,1 mm	100	7,93 ± 1,57	6,35	4,75	2,4
	E13-00J	-	15A, 125/250 VAC 3/4HP, 125 VAC 1-1/2HP, 250 VAC 2A, 48VDC	Q.C. terminals 6,35x0,8mm	Thermoplastic over-travel button	425	17,02 ± 0,76	1,27	2,74	0,4
	E13-00M	-	15A, 125/250 VAC 3/4HP, 125 VAC 1-1/2HP, 250 VAC 2A, 48VDC	Q.C. terminals 6,35x0,8mm	Metal, over-travel button	425	20,63 ± 0,76	1,27	5,54	0,4
Double pole version	E19-00H	-	15A, 125/250 VAC 3/4HP, 125 VAC 1-1/2HP, 250 VAC	Q.C. terminals 6,35x0,8mm	Straight, length 38,1 mm	205	7,92 ± 1,57	6,99	4,75	2,4
	E19-00K	-	15A, 125/250 VAC 3/4HP, 125 VAC 1-1/2HP, 250 VAC	Q.C. terminals 6,35x0,8mm	Roller actuator, length 35,3mm	212	18,24 ± 1,57	6,35	4,75	2,4
	E19-50H	-	15A, 125/250 VAC 3/4HP, 125 VAC 1-1/2HP, 250 VAC	Q.C. terminals 6,35x0,8mm	Straight, length 44,5mm	130	7,14 ± 1,57	10,16	4,75	3,6
	E20-00K	-	20A, 125/250 VAC 1HP, 125 VAC 2HP, 250 VAC	Q.C. terminals 6,35x0,8mm	Roller actuator, length 17,5mm	425	21,84 ± 1,57	8,84	3,96	1,1

Double pole version

