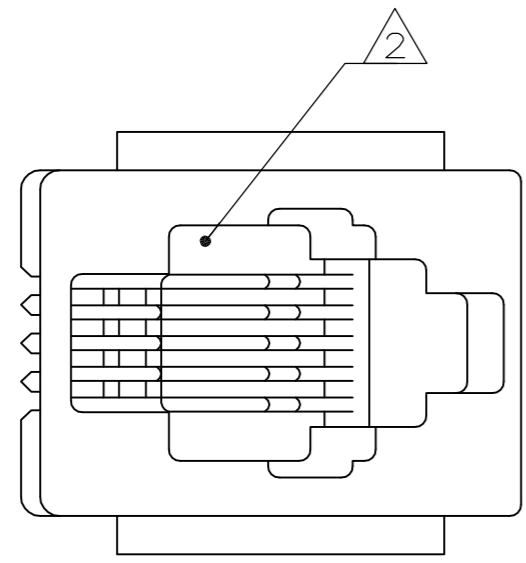
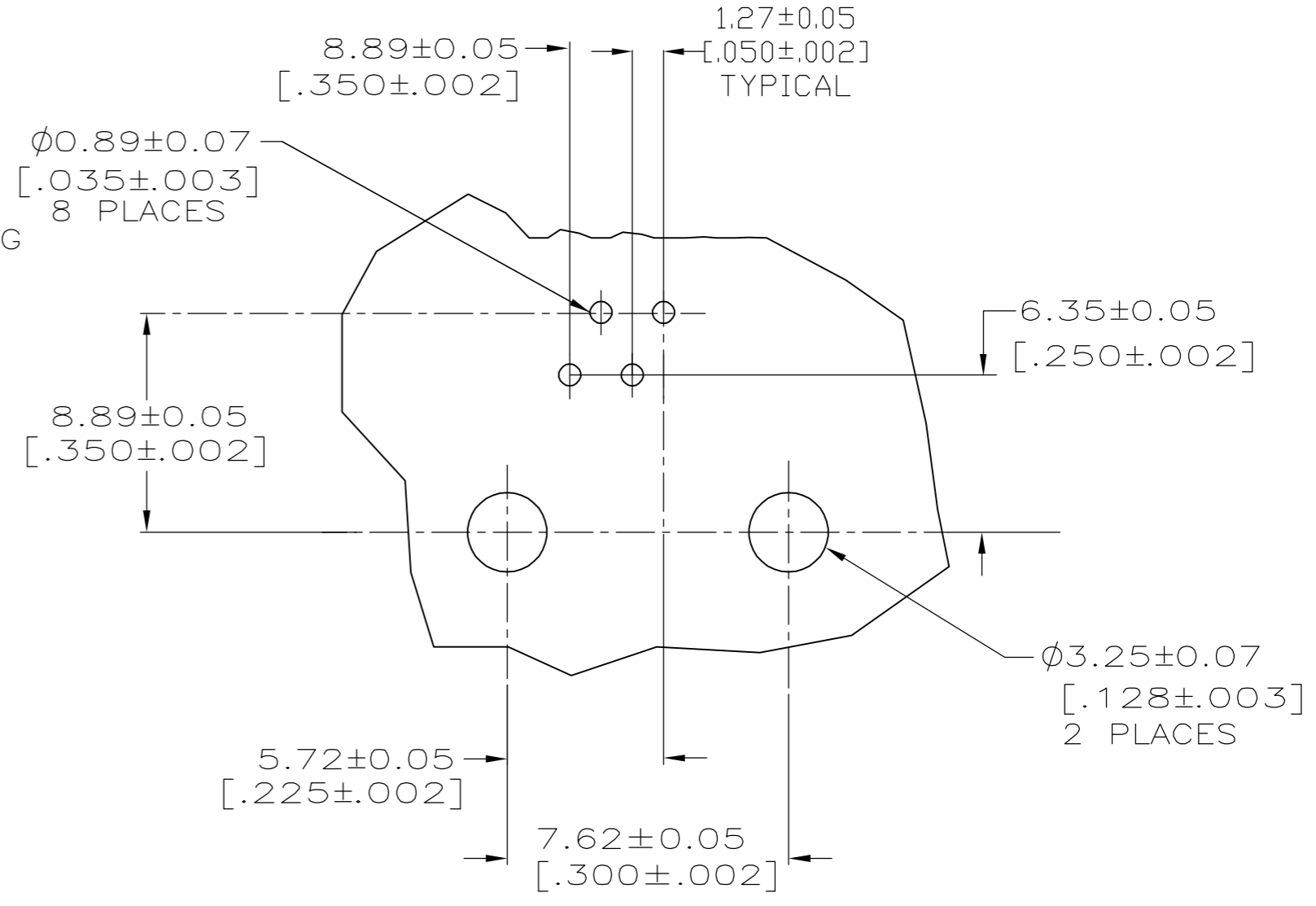
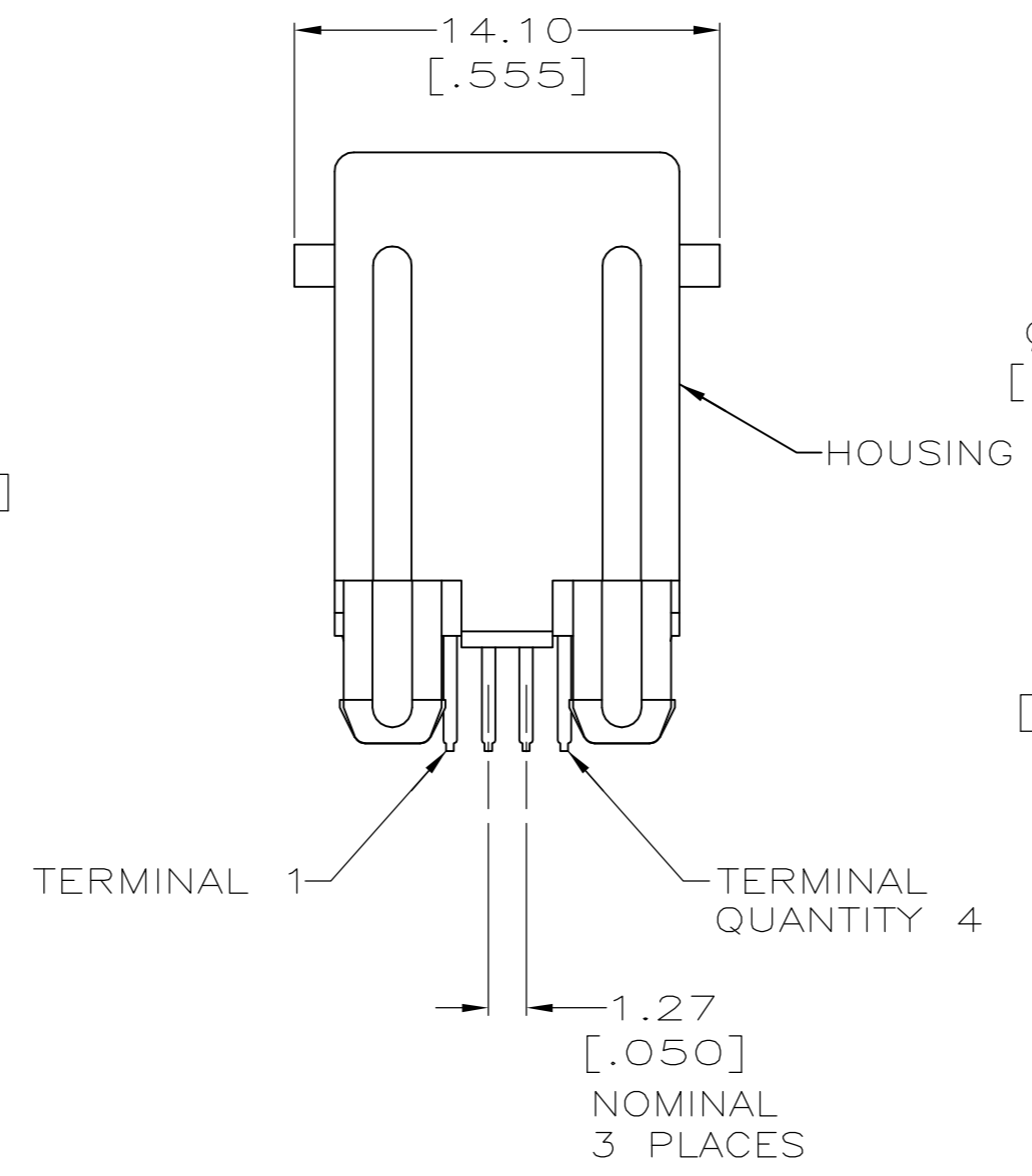
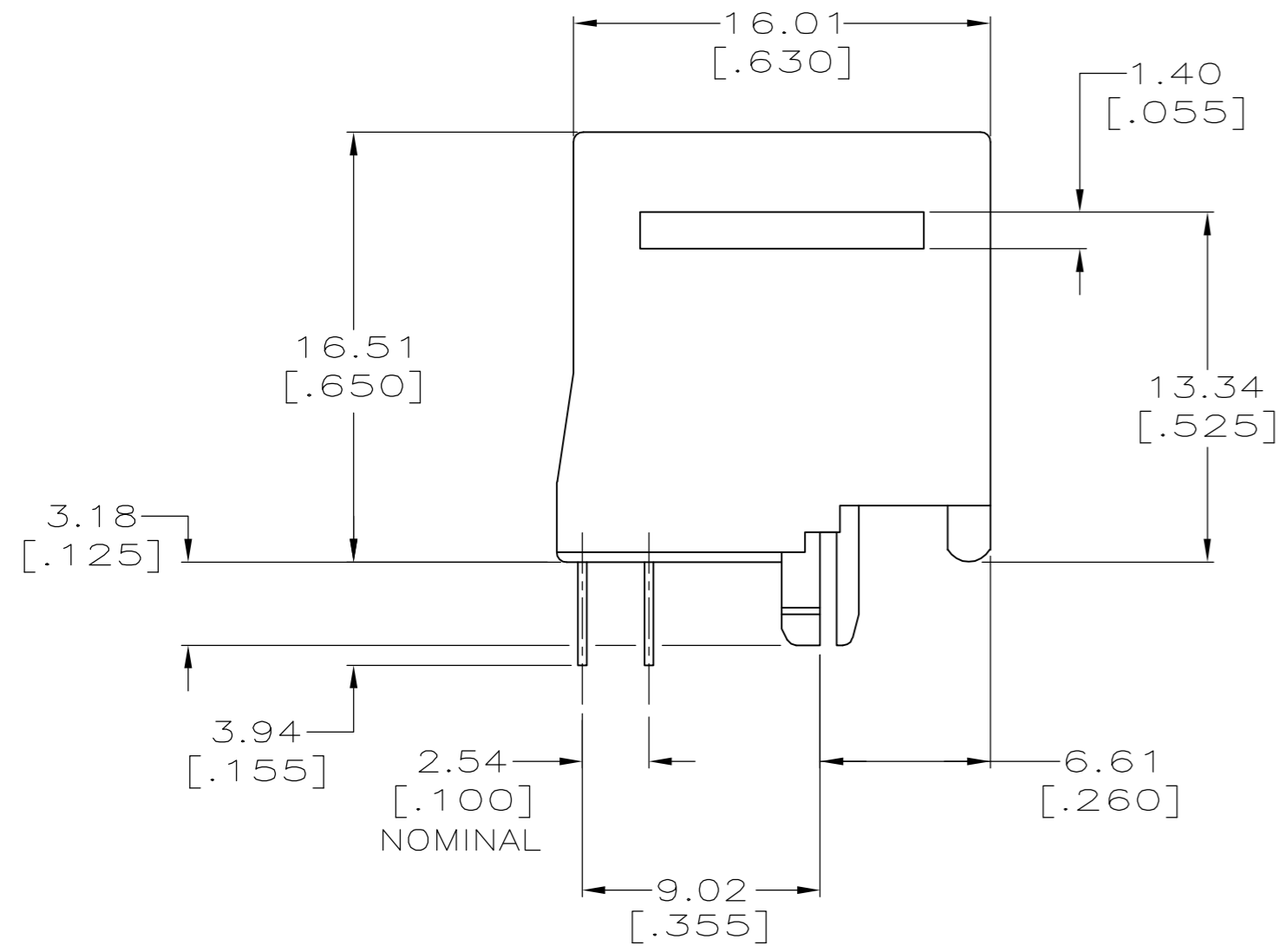


THIS DRAWING IS UNPUBLISHED. RELEASED FOR PUBLICATION
 © COPYRIGHT BY TYCO ELECTRONICS CORPORATION. ALL RIGHTS RESERVED.

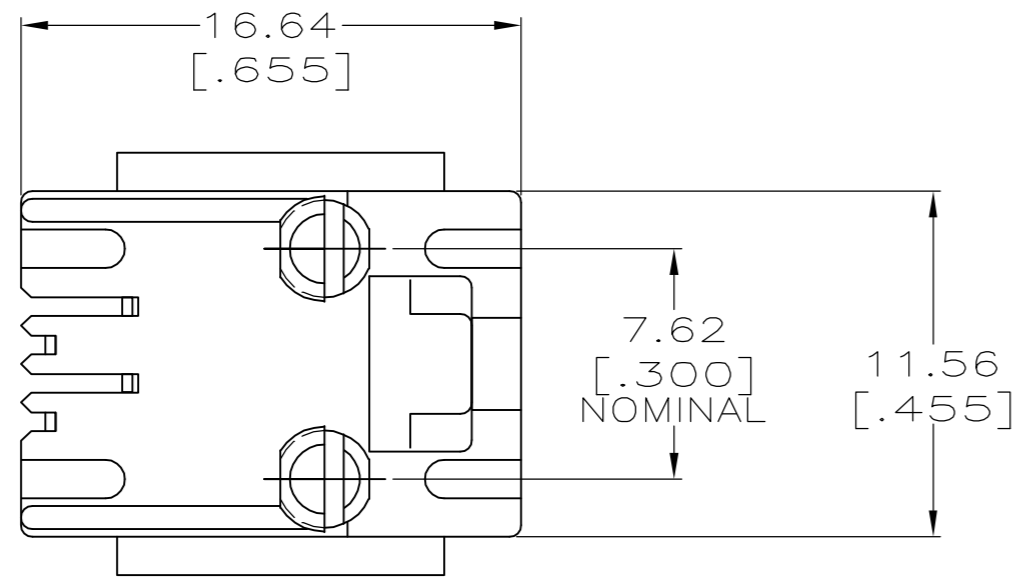
LOC	DIST	REVISIONS			
P	LTR	DESCRIPTION	DATE	DWN	APVD
AA	22	REV PER EC 0S11-0201-04	06JUN2005	GA	SF



- ① MATERIAL: HOUSING - PBT POLYESTER, BLACK.
 TERMINAL - 0.36[.014] THICK PHOS-BRONZ PLATED WITH 1.27 μ m[.000050] MINIMUM THICK HARD GOLD IN LOCALIZED GOLD PLATE AREA AND 3.81 μ m[.000150] MINIMUM THICK MATTE TIN IN SOLDER AREA OVER 1.27 μ m[.000050] MINIMUM THICK NICKEL UNDERPLATE.
- ② CAVITY CONFORMS TO FCC RULES AND REGULATIONS PART 68 AND REA BULLETIN 345-.81 PE-76 SPECIFICATION FOR MODULAR TELEPHONE HARDWARE.
- ③ DIMENSIONS ARE MAXIMUM UNLESS OTHERWISE SPECIFIED.
- ④ BULK PACKAGED IN A TRAY.



SUGGESTED PRINTED CIRCUIT BOARD LAYOUT
 COMPONENT SIDE



④	5520257-2
PACKAGED	PART NUMBER

THIS DRAWING IS A CONTROLLED DOCUMENT.		DWN G. ATTADIA - DOCK5 06JUN2005	tyco Tyco Electronics Corporation	
DIMENSIONS: mm[inches]		CHK J. WESTMAN 06JUN2005	Harrisburg, PA 17105-3608	
TOLERANCES UNLESS OTHERWISE SPECIFIED:		APVD S. FLICKINGER 06JUN2005	NAME	
0 PLC ± -	③	PRODUCT SPEC	108-1163	
1 PLC ± -	③	APPLICATION SPEC	114-2048	
2 PLC ± -	③	WEIGHT	-	
3 PLC ± -	③	CUSTOMER DRAWING	SCALE 4:1 SHEET 1 OF 1 REV A	
4 PLC ± -	③			
ANGLES ± -	③			
FINISH ①	①			