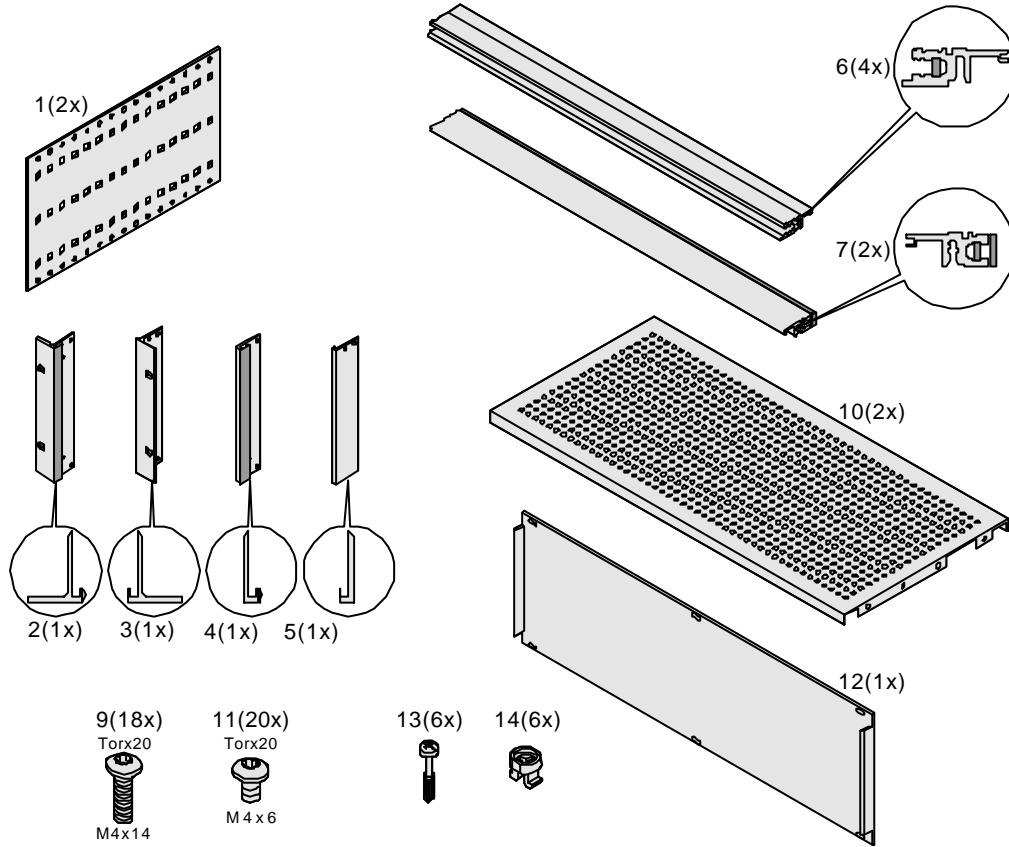
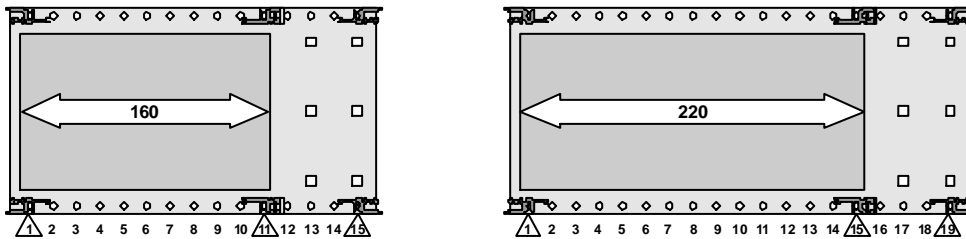


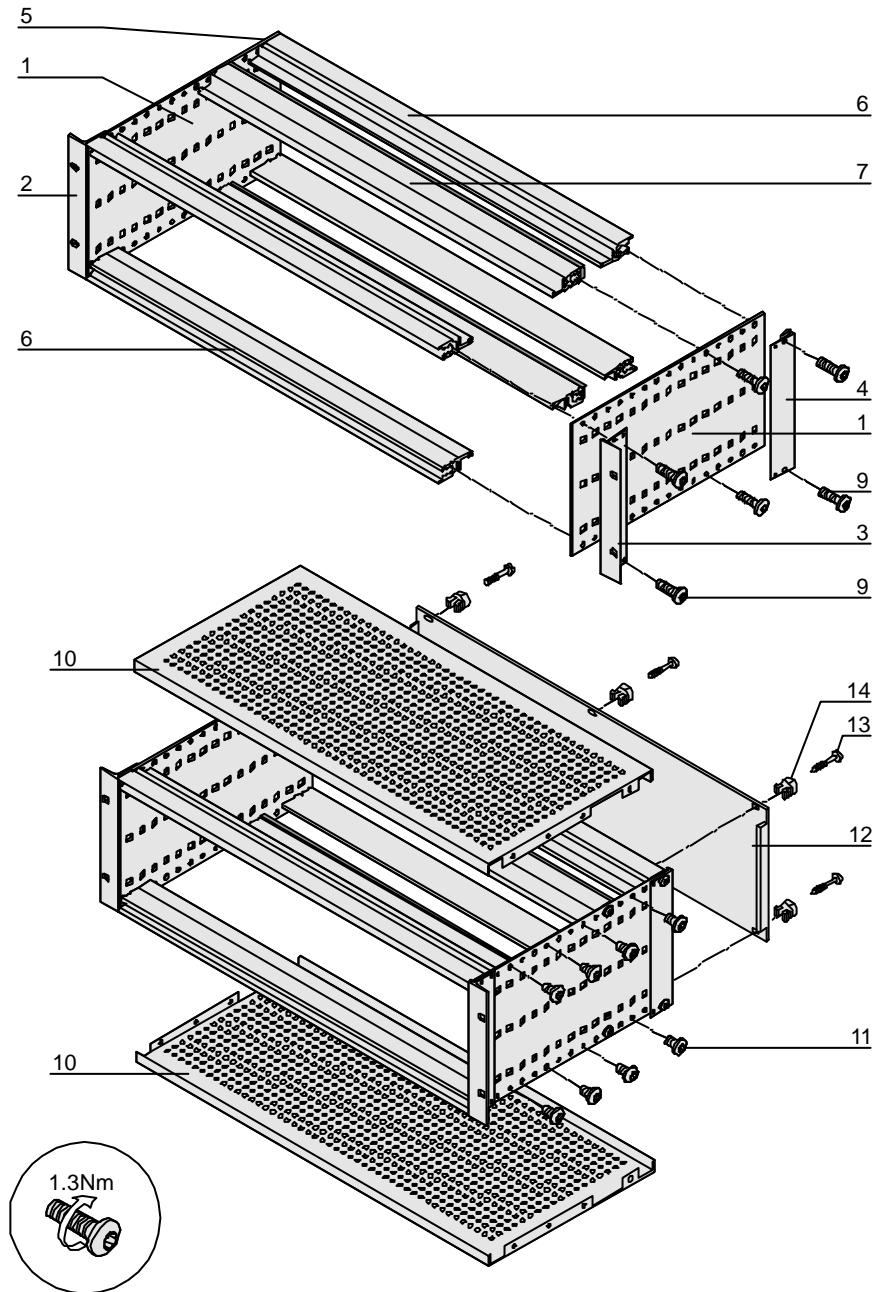
3 HE / 3 U



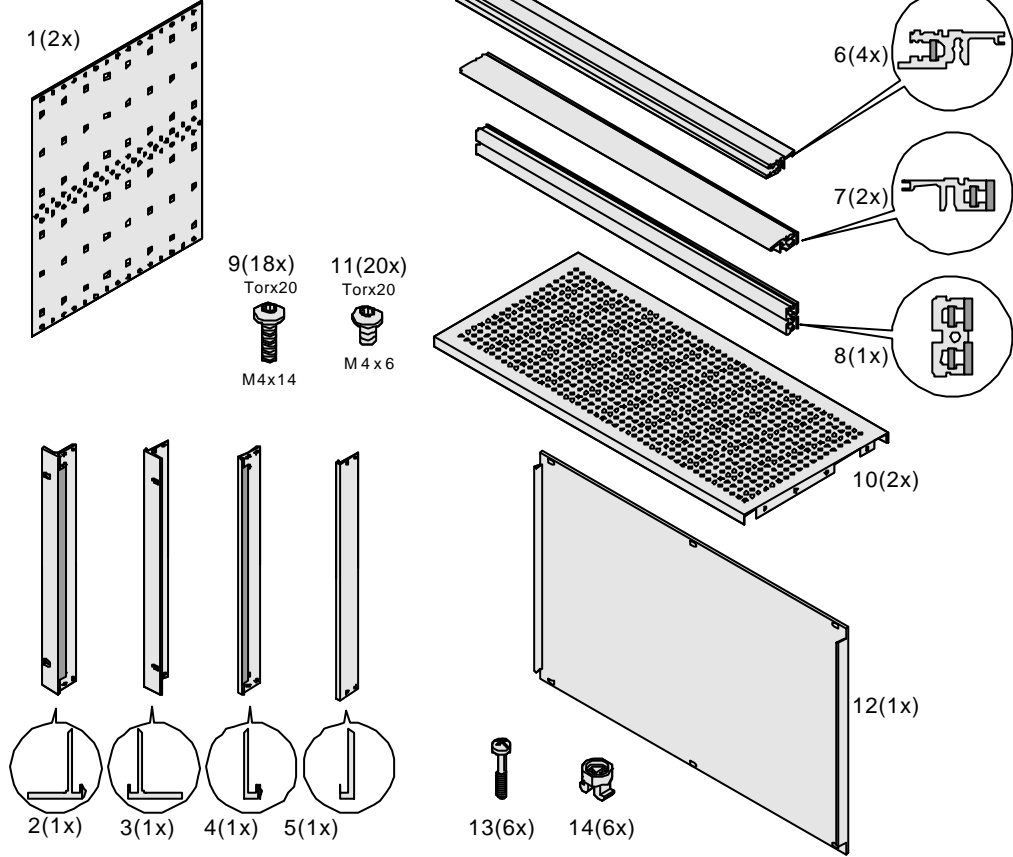
3 HE / 3 U



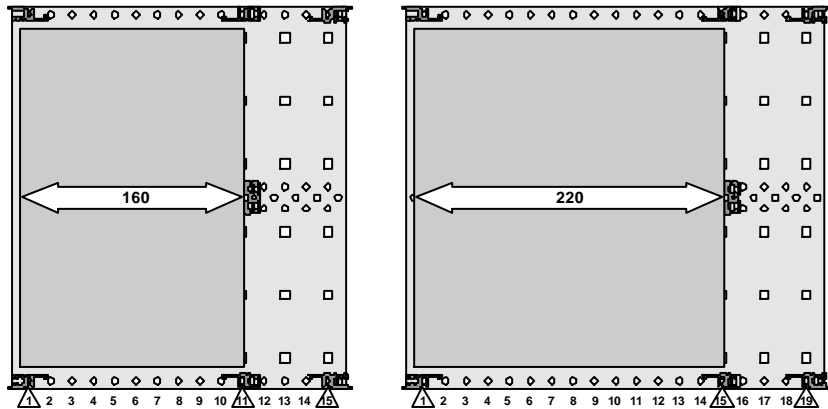
3 HE / 3 U



6 HE/6 U



6 HE/6 U



6 HE/6 U

