

ID KEY-OPERATED SWITCH, 22MM, ROUND, PLASTIC, BLACK, RFID, 4 SWITCH POSITIONS O-I-II-III, ACTUATING ANGLE 3X45 DEG., WITHOUT ID KEY



Figure similar

product brand name	SIRIUS ACT
Product designation	Commanding and signaling devices
Design of the product	ID Key Switch

Actuator:	
Design of the operating mechanism	ID key switch (codable)
Manner of function of the actuating element	Latching
Product expansion optional Light source	No
Color	
• of the actuating element	black
Material of the actuating element	plastic
Shape of the actuating element	round
Outer diameter of the actuating element	29.5 mm
Number of switching positions	4
Switch position for key distraction	Key removal possible in all 4 positions

Front ring:	
Product component front ring	Yes
Design of the front ring	Standard
Material of the front ring	plastic
Color of the front ring	black

General technical data:

Protection class IP	IP65
Mechanical service life (switching cycles) <ul style="list-style-type: none">• typical	100 000
Equipment marking <ul style="list-style-type: none">• acc. to DIN EN 61346-2• acc. to DIN EN 81346-2	S S

Connections/ Terminals:

Tightening torque of the screws in the bracket	1 ... 1.2 N·m
---	---------------





Ambient conditions:

Ambient temperature <ul style="list-style-type: none">• during operation• during storage	-25 ... +70 °C -40 ... +80 °C
--	----------------------------------

Installation/ mounting/ dimensions:

Height	29.5 mm
Width	29.5 mm
Mounting diameter	22.3 mm
Mounting height	29.6 mm
Installation width	29.5 mm
Installation depth	29.5 mm

Certificates/approvals

General Product Approval	EMC	For use in hazardous locations	Declaration of Conformity
 CSA	 UL		 EG-Konf.

[EG-Konformitätserklärung EMV](#) [Herstellereklärung](#)

other

[Bestätigungen](#)

Further information

Information- and Downloadcenter (Catalogs, Brochures,...)

<http://www.siemens.com/industrial-controls/catalogs>

Industry Mall (Online ordering system)

<https://mall.industry.siemens.com/mall/en/en/Catalog/product?mlfb=3SU10004WS100AA0>

Cax online generator

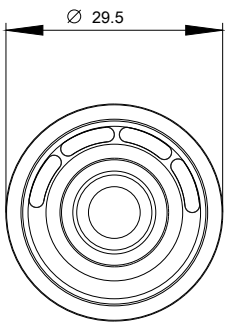
<http://support.automation.siemens.com/WW/CAXorder/default.aspx?lang=en&mfb=3SU10004WS100AA0>

Service&Support (Manuals, Certificates, Characteristics, FAQs,...)

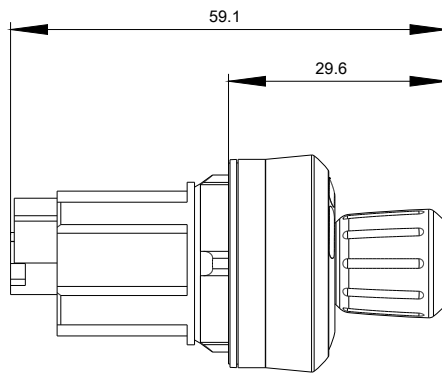
<https://support.industry.siemens.com/cs/ww/en/ps/3SU10004WS100AA0>

Image database (product images, 2D dimension drawings, 3D models, device circuit diagrams, EPLAN macros, ...)

http://www.automation.siemens.com/bilddb/cax_de.aspx?mfb=3SU10004WS100AA0&lang=en



last modified:



24.02.2016