



115.111.129.98KWSEFührungswagen

Carriages KWSE25 (Series KWSE)

standard carriage for six-row linear recirculating ball
bearing and guideway assembly

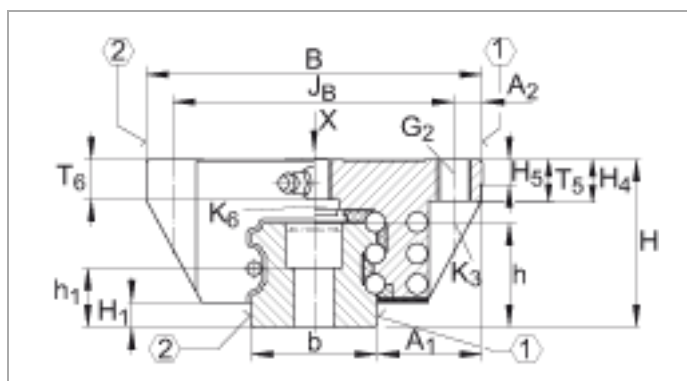
The datasheet is only an overview of dimensions and basic load ratings of the selected product. Please always observe all the guidelines in these overview pages. Further information is given on many products under the menu item "Description". You can also order comprehensive information via the Catalogue ordering system

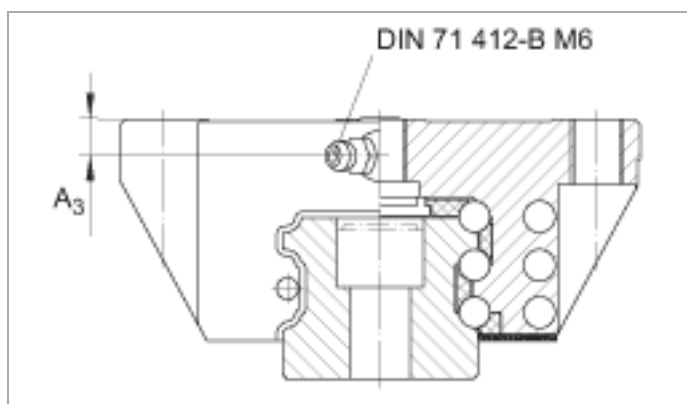
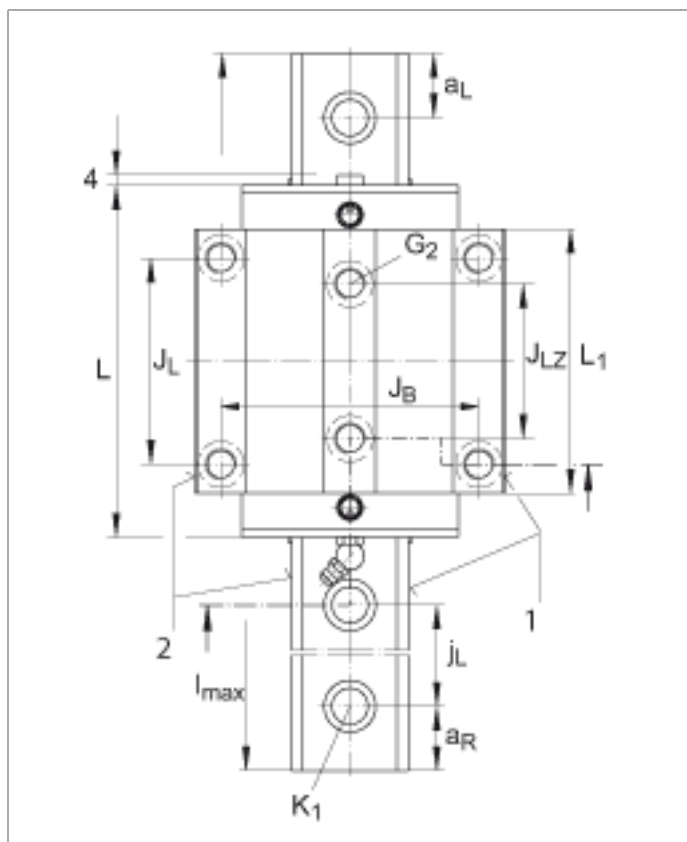
(https://www.schaeffler.de/content.schaeffler.de/en/news_media/index.jsp) or by telephone on +49 (91 32) 82 - 28 97.

H	36 mm
B	70 mm
L	81,8 mm Minimum covered length for sealing the lubrication connections N2
1)	Locating face
2)	Marking
A1	23,5 mm
A2	6,5 mm
A3	6 mm
aL max	53 mm a L and a R are dependent on the length l max of the guideway
aL min	20 mm a L and a R are dependent on the length l max of the guideway
aR max	53 mm a L and a R are dependent on the length l max of the guideway
aR min	20 mm a L and a R are dependent on the length l max of the guideway
b	23 mm Tolerance: -0,005/-0,03
G2	M8 For screws to DIN ISO 4762-12.9 Max. tightening torque [MA] in Nm: M6 = 10 M8 = 24 M10 = 41 M12 = 83 M14 = 140 M16 = 220 M20 = 470
h	21,7 mm
H1	5,2 mm

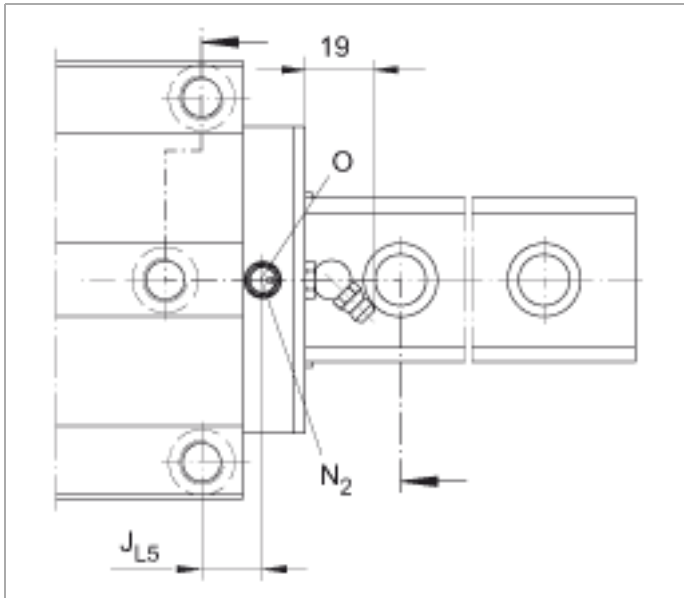
h ₁	11,7 mm	
H ₄	9,8 mm	
H ₅	5 mm	
J _B	57 mm	
J _L	45 mm	
j _L	60 mm	
J _{L5}	12,7 mm	Position of lubrication hole in adjacent construction.
J _{LZ}	40 mm	
K ₁	M6	For screws to DIN ISO 4762-12.9 Max. tightening torque [MA] in Nm: M5 = 10 M6 = 17 M8 = 41 M10 = 83 M12 = 140 M14 = 220 M16 = 340
K ₃	M6	For screws to DIN ISO 4762-12.9 Max. tightening torque [MA] in Nm: M5 = 10 M6 = 17 M8 = 41 M10 = 83 M12 = 140 M14 = 220 M16 = 340
K ₆	M6	For screws to DIN ISO 7984-8.8 Max. tightening torque [MA] in Nm: M5 = 5,8 M6 = 10 M8 = 24 M10 = 48 M12 = 83 M14 = 130
L ₁	60,4 mm	
l _{max}	1980 mm	Maximum length of single-piece guideways; longer guideways are supplied in several sections and are marked accordingly. Maximum single-piece guideway length of 6 m by agreement.
N ₂	3 mm	Maximum diameter of lubrication hole in adjacent construction
O	3x1,5 mm	DIN 3771
T ₅	10 mm	
T ₆	9,5 mm	For location from above: max. screw depth for central threaded holes T ₆ + 3 mm

mw	0,6 kg	Mass of carriage
ms	3,1 kg/m	Mass of guideway
C _I	28000 N	Load direction I: compressive load
C _o	67000 N	Load direction I: compressive load
I		
C _{II}	22900 N	Load direction II: tensile load
C _o	43000 N	Load direction II: tensile load
II		
C _{III}	21300 N	Load direction III: lateral load
C _o	46000 N	Load direction III: lateral load
III		
M _{0x}	535 Nm	Static moment rating about X axis
M _{0y}	486 Nm	Static moment rating about Y axis
M _{0z}	442 Nm	Static moment rating about Z axis

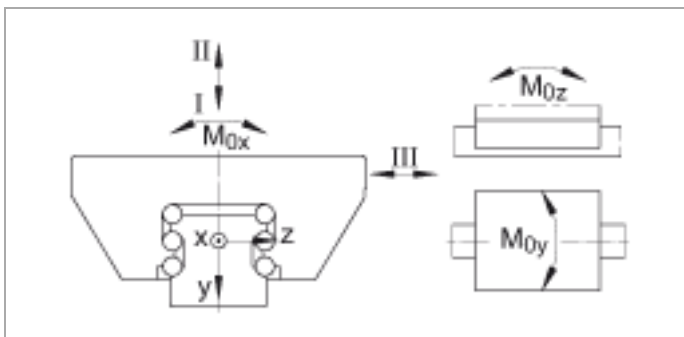




Lubrication connector on end face



Lubrication connector in top face



Load directions