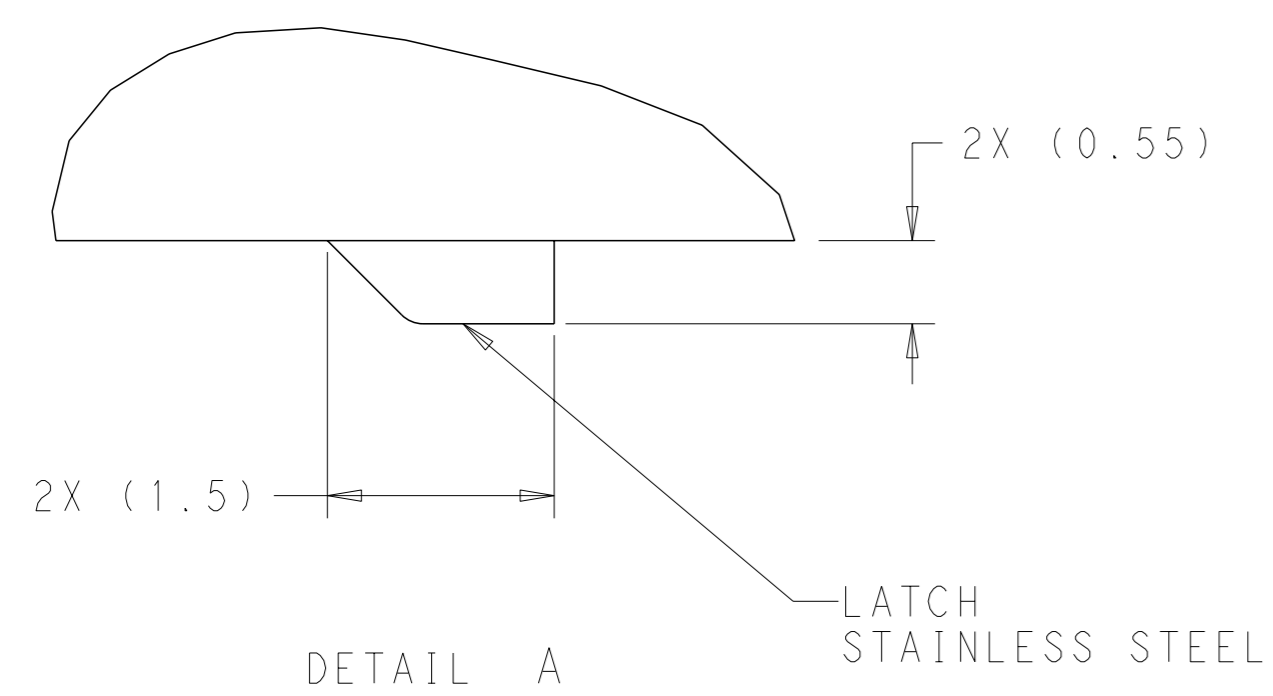
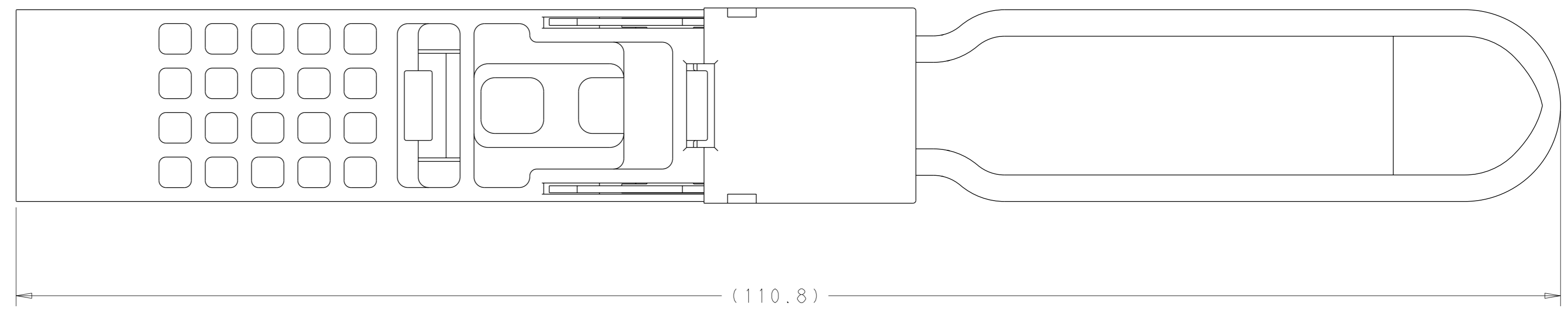
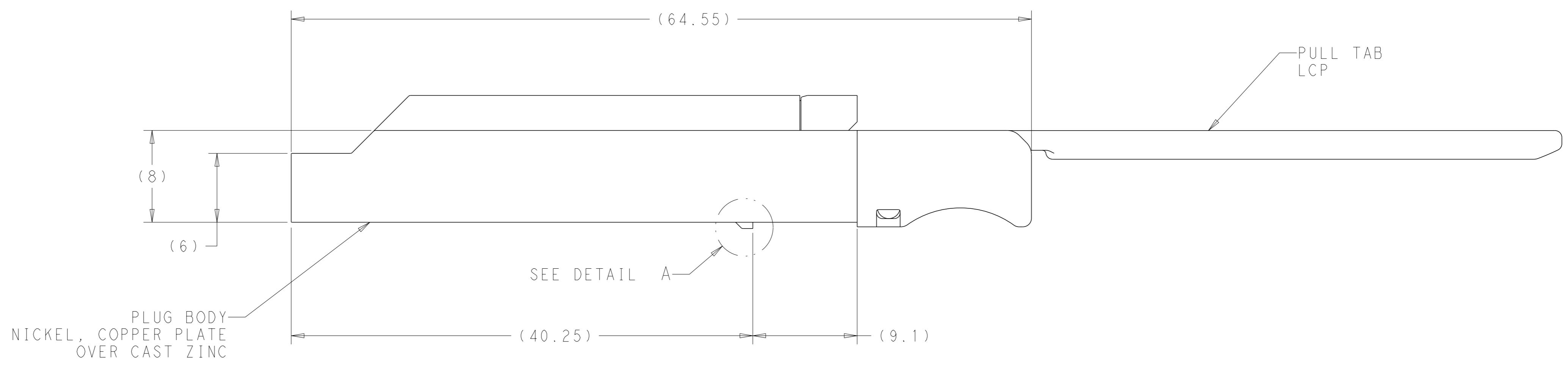
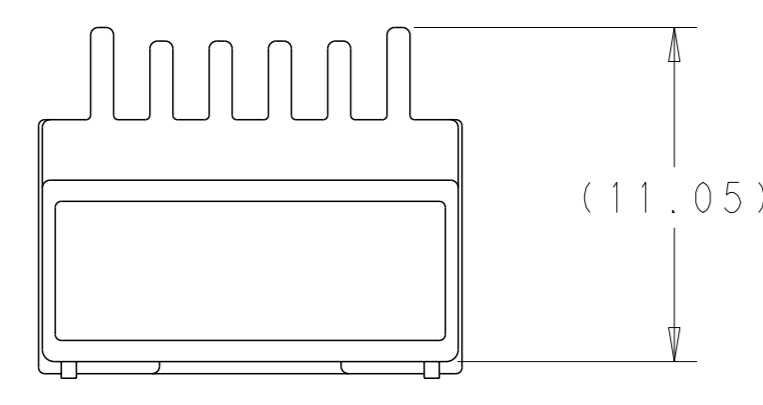
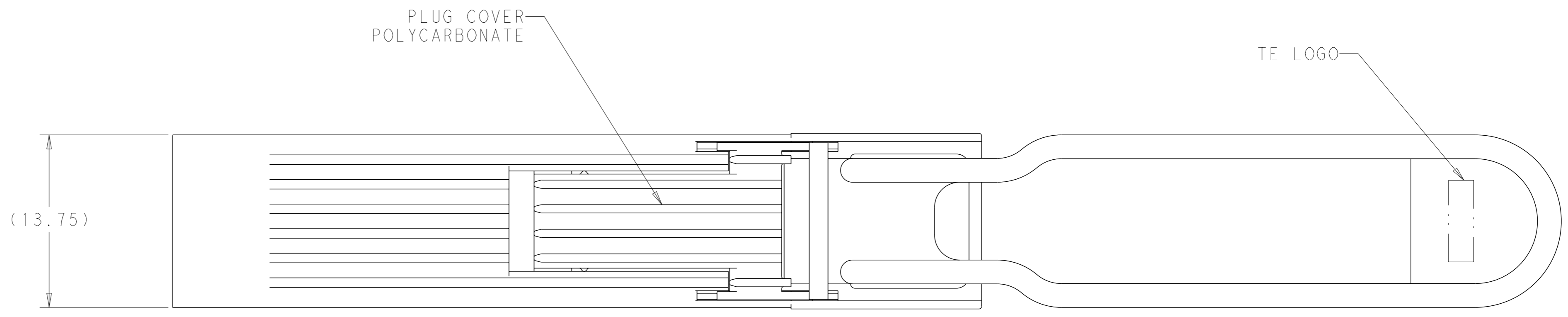


REVISIONS				
#	DATE	DESCRIPTION	DATE	APPROVED
1	15MAY2017	ORIGINAL	15MAY2017	CJV EDB



DETAIL A
SCALE 20:1

2300088-1
PART NUMBER

THIS PRINT IS
PRELIMINARY
UNQUALIFIED PRODUCT
CONTACT PRODUCT ENGINEERING
BEFORE USING THIS PRINT

THIS DRAWING IS A CONTROLLED DOCUMENT.		OWN: C. VALENTINE 15MAY2017		TE CONNECTIVITY MICROSEMI EMI PLUG ASSY		
DIMENSIONS:		CHK: E. BRIAN 15MAY2017				
TOLERANCES UNLESS OTHERWISE SPECIFIED:		APPR: E. BRIAN 15MAY2017				
mm		NAME: PRODUCT SPEC				
0 PLC	±	APPLICATION SPEC	SIZE: A1	CAGE CODE: -	DRAWING NO: 2300088	RESTRICTED TO:
1 PLC	±	WEIGHT: -	SCALE: 4:1	SHEET: 1	OF: 1	REV: 1
2 PLC	±	MATERIAL: -	CUSTOMER DRAWING			
3 PLC	±	FINISH: -				
4 PLC	±	ANGLES: *				