



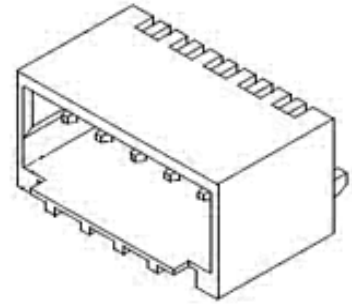
Part Number : [780480443](#)

Product Description : 1.50mm Pitch Pico-SPOX Wire-to-Board Header, Liquid Crystal Polymer, Right-Angle, 4 Circuits, Embossed Tape on Reel, Beige

Series Number : 78048

Status : Not Recommended For New Design

Product Category : PCB Headers and Receptacles



Documents & Resources

Drawings

[780480443_sd.pdf](#)

3D Models and Design Files

[STEP AP242](#)

[SOLIDWORKS](#)

[Creo](#)

[Symbol and Footprint \(Multi-Format\)](#)

[780480443.dxf](#)


Specifications

[SPK-78048-001-001.pdf](#)

[PS-78047-001-001.pdf](#)

Product Environment Compliance

Compliance

| | |
|--------------------|---|
| GADSL/IMDS | Compliant with Exemption 44; 33 |
| China RoHS | per SJ/T 11365-2006  |
| EU ELV | Not Relevant |
| Low-Halogen Status | Low-Halogen per IEC 61249-2-21 |
| REACH SVHC | Not Contained per D(2025)4165-DC (25 June 2025) |
| EU RoHS | Compliant per EU 2015/863 |

[Compliance Statements](#)

- EU RoHS
- REACH SVHC
- Low-Halogen

Industry Documents

- IPC 1752A Class C
- IPC 1752A Class D
- Molex Product Compliance Declaration
- IEC-62474
- chemSHERPA (xml)

Substances of Interest

- PFAS

EU RoHS Certificate of Compliance

Additional Product Compliance Information

Part Details

General

| | |
|----------------|--|
| Status | Not Recommended For New Design |
| Category | PCB Headers and Receptacles |
| Series | 78048 |
| Description | 1.50mm Pitch Pico-SPOX Wire-to-Board Header, Liquid Crystal Polymer, Right-Angle, 4 Circuits, Embossed Tape on Reel, Beige |
| Application | Signal, Wire-to-Board |
| Component Type | PCB Header |
| Product Name | Pico-SPOX |
| UPC | 822350367769 |

Agency

| | |
|-----|---------|
| CSA | LR19980 |
| UL | E29179 |

Electrical

| | |
|-------------------------------|---------|
| Current - Maximum per Contact | 2.5A |
| Voltage - Maximum | 250V AC |

Physical

| | |
|--------------------------------|------------------------|
| Breakaway | No |
| Circuits (Loaded) | 4 |
| Circuits (maximum) | 4 |
| Color - Resin | Beige |
| Durability (mating cycles max) | 10 |
| First Mate / Last Break | No |
| Flammability | 94V-0 |
| Glow-Wire Capable | No |
| Guide to Mating Part | No |
| Keying to Mating Part | Yes |
| Lock to Mating Part | Yes |
| Material - Metal | Brass |
| Material - Plating Mating | Tin |
| Material - Plating Termination | Tin |
| Material - Resin | Liquid Crystal Polymer |
| Net Weight | 0.268/g |
| Number of Rows | 1 |
| Orientation | Right Angle |
| Packaging Type | Embossed Tape on Reel |
| PCB Locator | No |
| PCB Retention | None |
| Pitch - Mating Interface | 1.50mm |
| Plating min - Mating | 2.540µm |
| Plating min - Termination | 2.540µm |
| Polarized to Mating Part | Yes |
| Polarized to PCB | No |
| Shrouded | Fully |
| Stackable | No |
| Temperature Range - Operating | -55° to +105°C |
| Termination Interface Style | Surface Mount |

Mates With / Use With

Mates with Part(s)

| Description | Part Number |
|-------------|-------------|
| | |

| | |
|---|--------------|
| Pico-SPOX Single Row Receptacle Housings | <u>87439</u> |
|---|--------------|

Use with Part(s)

| Description | Part Number |
|----------------------------------|--------------|
| Pico-SPOX Female Crimp Terminals | <u>87421</u> |

This document was generated on Aug 05, 2025