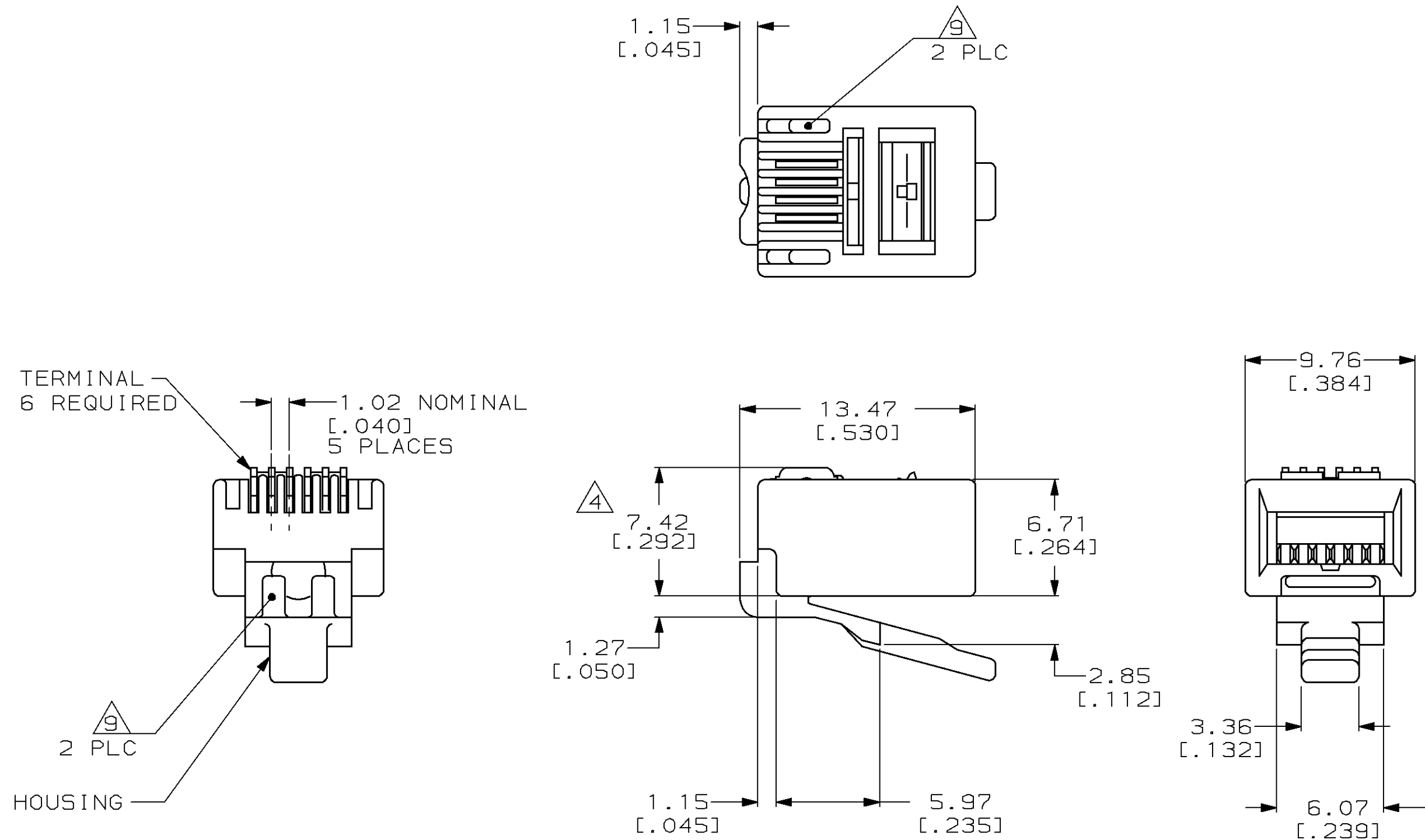


LOC	DIST	P	F	REVISIONS			DATE	APPD
ZONE	LTR	DESCRIPTION						
AA	22			L	REV; EC 0502-0462-97	14JUL97	GG EL	

- ① DIMENSIONS ARE MAXIMUM UNLESS OTHERWISE SPECIFIED.
- ② MATERIAL: HOUSING-POLYCARBONATE, CLEAR. TERMINAL-0.36[.014] THICK PHOSPHOR BRONZE PLATED WITH 1.27μm[.000050] THICK GOLD IN LOCALIZED GOLD PLATE AREA, GOLD FLASH OVER THE REMAINDER, OVER 2.54μm[.000100] THICK NICKEL UNDERPLATE.
- ③ PLUG WILL ACCEPT 24 OR 26 AWG SOLID WIRE HAVING AN INSULATION DIAMETER RANGE OF 0.89-0.99[.035-.039] AND A MAXIMUM OVAL CABLE JACKET OF 2.29 X 6.61 [.09 X .260].
- ④ TERMINATED DIMENSION 6.15[.242] MAXIMUM.
- ⑤ PACKAGED 10 ASSEMBLIES PER BLISTER PACK.
- ⑥ PACKAGED 1000 ASSEMBLIES PER BOX.
- ⑦ PACKAGED 100 ASSEMBLIES PER BOX, 10 BOXES PER CARTON.
- ⑧ PACKAGED 25 ASSEMBLIES PER POLYBAG, 40 POLYBAGS PER CARTON.
- ⑨ REELED PRODUCT ON STRIP DOES NOT HAVE VOID CORING ILLUSTRATED ON THIS DRAWING.



⑤ ③	6-555042-3
⑧ ③	5-555042-4
⑦ ③	5-555042-3
⑥ ③	5-555042-2
REELED ③ ③	555042-1
PACKAGED	PART NO

DO NOT SCALE PRINT. UNLESS SPECIFIED DIMENSIONS IN mm [INCHES] TOLERANCES ON: 2 PLC DEC ± - ① 3 PLC DEC ± - ANGLES ± -	DR 9-2-93 YTP/UTA CHK 9-15-93 C.WHITT APPD 9-20-93 J.TONEY	AMP Incorporated Harrisburg, PA 17105-3608		
MATERIAL ②	APPD 9-20-93 H.MCGRATH PRODUCT SPEC 108-1163			NAME MODULAR PLUG ASSEMBLY, 6 POSITION, SOLID WIRE
FINISH ②	APPLICATION SPEC 114-6016	SIZE C	CAGE CODE 00779	DRAWING NO G=555042
	WEIGHT -	SCALE 4:1	SHEET 1 OF 1	

THIS DRAWING IS A CONTROLLED DOCUMENT FOR AMP INCORPORATED. IT IS SUBJECT TO CHANGE AND THE CONTROLLING ENGINEERING ORGANIZATION SHOULD BE CONTACTED FOR THE LATEST REVISION.