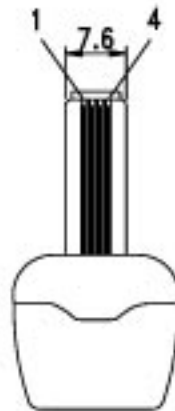
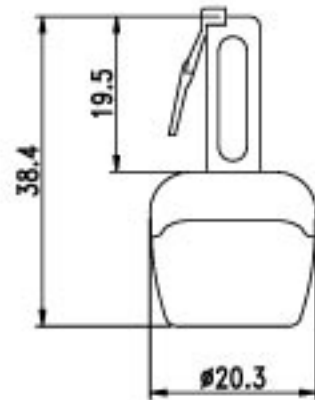
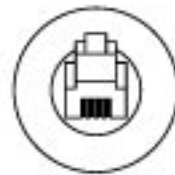


	ISSUE	REVISED	DRAWN	DATE
▲				
▲				
▲				



US PLUG  
4P4C



COLOR : TRANSPARENT



US JACK  
4P4C

US JACK  
4P4C

US PLUG  
4P4C

1	_____	1
2	_____	2
3	_____	3
4	_____	4

NOTE : 1PC/POLYBAG, STICK YELLOW BAR CODE LABEL.

P/N : 2646838



DESCRIPTION : Twist Stopper

SCALE	1:1	DATE	09.03.30	CHECKED		ISSUE: A	SHEET 1 OF 1	TOLERANCES UNLESS OTHERWISE STATED
SIZE	A4	DRAWN	SEA	APPROVED				
UNIT	mm	AFFIRM		STANDARDIZE				
CUSTOMER:						RS	DWG No.	TS01A
								X. = ± 1 .X = ± 0.5 .XX = ± 0.2