

### Specifications

Insulation Resistance:	500MΩ min. at 500V DC
Withstanding Voltage:	250V AC for 1 minute
Contact Resistance:	30mΩ max. at 10mA / 20mV
Current Rating:	1A max.
Operating Temperature Range:	-55°C ~ +85°C
Soldering Temperature:	220°C max. at 60 secs. max / 260° Peak
Insertion/Extraction Force:	0.147 N / Pin min., 1.47 N / Pin max.
Mating Cycles:	20 insertions max.

### Materials and Finish

Housing: PA, glass filled, UL94V-0 rated  
Contact: Copper Alloy, SnBi (3.0 ~ 7.0μm) plating

### Features

- Low profile design (5.0 and 4.6mm height)
- 2 different terminal styles available
- Designed for automatic mounting (SMT type)

#### INFO

For PLCC DIP (TH) versions (IC160Z-\*\*\*\*400)  
Please contact Yamaichi

### Part Number (Details)

IC160Z - 020 4 - \*\* 0 1

Series No.

No. of Contact Pins

No. of Sides with Contacts

Terminal Style

24 = Inside Leads (Type 1)

30 = Outside Leads (Type 2)

0 = Without Positioning Pin

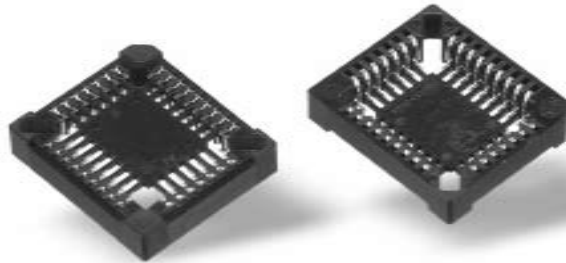
1 = With Positioning Pin

Packaging:

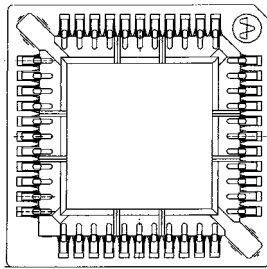
Unmarked = Tray

1 = Embossed Tape

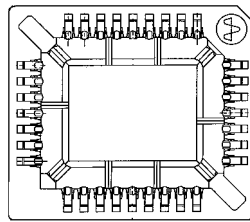
2 = Tube



### Available Body Forms

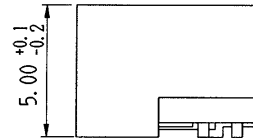


Square

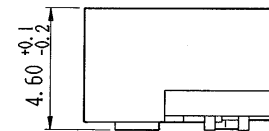


Rectangle

### Height Dimension Square Form (both terminal types)

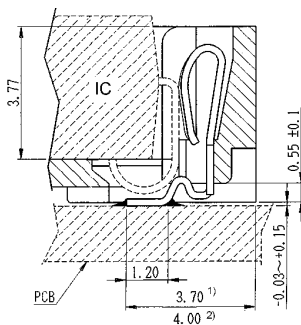


### Height Dimension Rectangle Form (both terminal types)



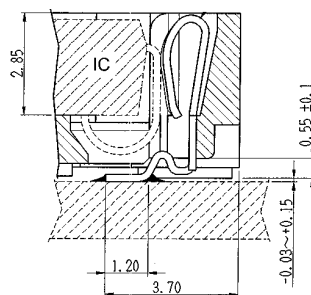
### Available Terminal Types

IC160Z-0\*\*4-24\*\* (Type1)



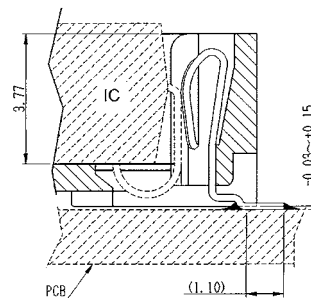
<sup>1)</sup> For pins 20, 28, 44

<sup>2)</sup> For pins 52, 68, 84

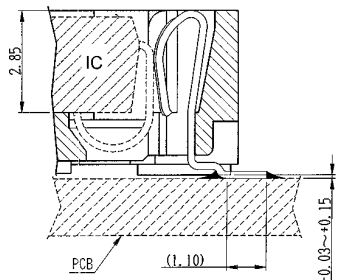


For pins 32 only

IC160Z-0\*\*4-30\*\* (Type 2)

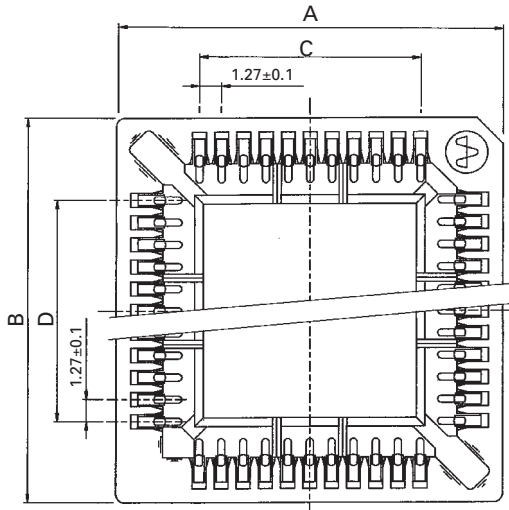


For pins 20, 28, 44, 52, 68, 84

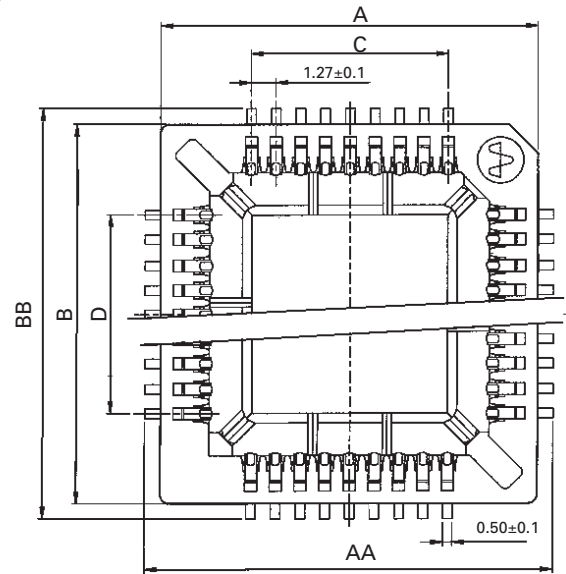


For pins 32 only

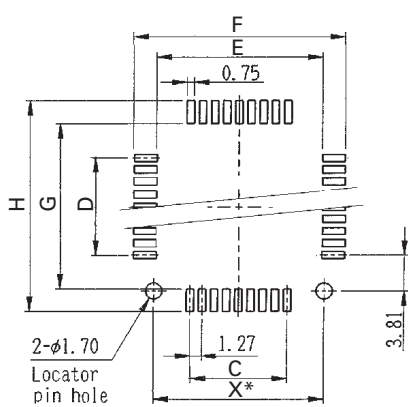
Outline Socket Dimensions Terminal Type 1



Outline Socket Dimensions Terminal Type 2



Recommended PCB Layout



Top View from Socket

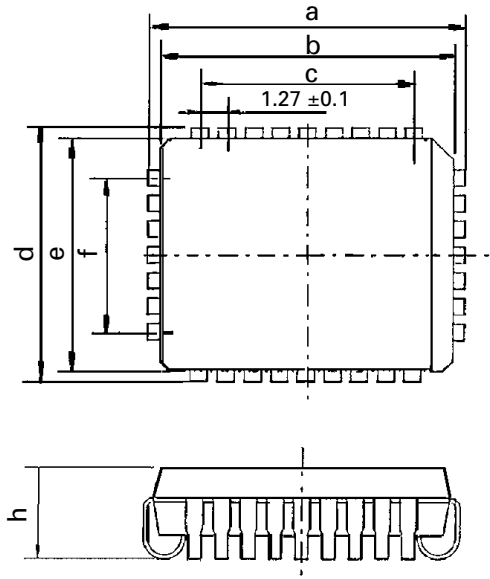
- \*Dimensions for X
- IC160Z-0324-301 = 17.78
  - IC160Z-0324-3011 = 17.78
  - IC160Z-0444-301 = 20.32
  - IC160Z-0444-3011 = 20.32

All other part numbers have no pin locator holes

Part Number	Pin Count	A	AA	B	BB	C	D	E	F	J	H
IC160Z-0204-240	20	14.46	-	14.46	-	5.08	5.08	6.27	10.27	6.27	10.27
IC160Z-0204-2401	20	14.46	-	14.46	-	5.08	5.08	6.27	10.27	6.27	10.27
IC160Z-0204-300	20	14.46	16.06	14.46	16.06	5.08	5.08	12.26	17.06	12.26	17.06
IC160Z-0204-3001	20	14.46	16.06	14.46	16.06	5.08	5.08	12.26	17.06	12.26	17.06
IC160Z-0284-240	28	17.00	-	17.00	-	7.62	7.62	8.81	12.81	8.81	12.81
IC160Z-0284-2401	28	17.00	-	17.00	-	7.62	7.62	8.81	12.81	8.81	12.81
IC160Z-0284-3001	28	17.00	18.60	17.00	18.60	7.62	7.62	14.80	19.60	14.80	19.60
IC160Z-0324-240	32	19.50	-	17.00	-	10.16	7.62	11.35	15.35	8.81	12.81
IC160Z-0324-2401	32	19.50	-	17.00	-	10.16	7.62	11.35	15.35	8.81	12.81
IC160Z-0324-2402	32	19.50	-	17.00	-	10.16	7.62	11.35	15.35	8.81	12.81
IC160Z-0324-300	32	19.50	21.10	17.00	18.60	10.16	7.62	17.30	22.10	14.80	19.60
IC160Z-0324-301	32	19.50	21.10	17.00	18.60	10.16	7.62	17.30	22.10	14.80	19.60
IC160Z-0444-240	44	22.08	-	22.08	-	12.70	12.70	13.89	17.89	13.89	17.89
IC160Z-0444-2401	44	22.08	-	22.08	-	12.70	12.70	13.89	17.89	13.89	17.89
IC160Z-0444-300	44	22.08	23.68	22.08	23.68	12.70	12.70	19.88	24.68	19.88	24.68
IC160Z-0444-301	44	22.08	23.68	22.08	23.68	12.70	12.70	19.88	24.68	19.88	24.68
IC160Z-0684-240	68	30.30	-	30.30	-	20.32	20.32	21.51	25.51	21.51	25.51
IC160Z-0684-2401	68	30.30	-	30.30	-	20.32	20.32	21.51	25.51	21.51	25.51
IC160Z-0684-300	68	30.30	31.30	30.30	31.30	20.32	20.32	27.50	32.30	27.50	32.30
IC160Z-0844-240	84	35.58	-	35.58	-	25.40	25.40	26.59	30.59	26.59	30.59
IC160Z-0844-2401	84	35.58	-	35.58	-	25.40	25.40	26.59	30.59	26.59	30.59
IC160Z-0844-300	84	35.58	36.38	35.58	36.38	25.40	25.40	32.58	37.38	32.58	37.38
IC160Z-0844-3001	84	35.58	36.38	35.58	36.38	25.40	25.40	32.58	37.38	32.58	37.38

Arrays - SPGA / PGA

Outline IC Dimensions



Pin Count	a	b	c	d	e	f	h
20	9.70 ~ 10.04	8.89 ~ 9.05	4.88 ~ 5.18	9.70 ~ 10.04	8.89 ~ 9.05	4.88 ~ 5.18	4.12 ~ 4.80
28	12.25 ~ 12.65	11.35 ~ 11.64	7.42 ~ 7.72	12.25 ~ 12.65	11.35 ~ 11.64	7.42 ~ 7.72	4.12 ~ 4.80
32	14.81 ~ 15.11	13.89 ~ 14.05	10.01 ~ 10.31	12.24 ~ 12.60	11.35 ~ 11.58	7.47 ~ 7.77	2.54 ~ 3.81
44	17.34 ~ 17.78	16.40 ~ 16.80	12.55 ~ 12.85	17.34 ~ 17.78	16.40 ~ 16.80	12.55 ~ 12.85	4.12 ~ 4.80
52	19.90 ~ 20.20	19.05 ~ 19.21	15.04 ~ 15.34	19.90 ~ 20.20	19.05 ~ 19.21	15.04 ~ 5.34	4.12 ~ 4.80
68	24.98 ~ 25.40	24.10 ~ 24.33	20.12 ~ 20.42	24.98 ~ 25.40	24.10 ~ 24.33	20.12 ~ 20.42	4.09 ~ 4.83
84	30.03 ~ 30.43	29.18 ~ 29.42	25.20 ~ 25.50	30.03 ~ 30.43	29.18 ~ 29.42	25.20 ~ 25.50	4.19 ~ 4.83

Packing Units

	20 pins	28 pins	30 pins	44 pins	52 pins	68 pins	84 pins
Pieces/Tray	60	50	50	40	32	24	18
Pieces/Reel	500	500	500	400	400	250	150
Pieces/Tube	-	-	25	-	-	-	-