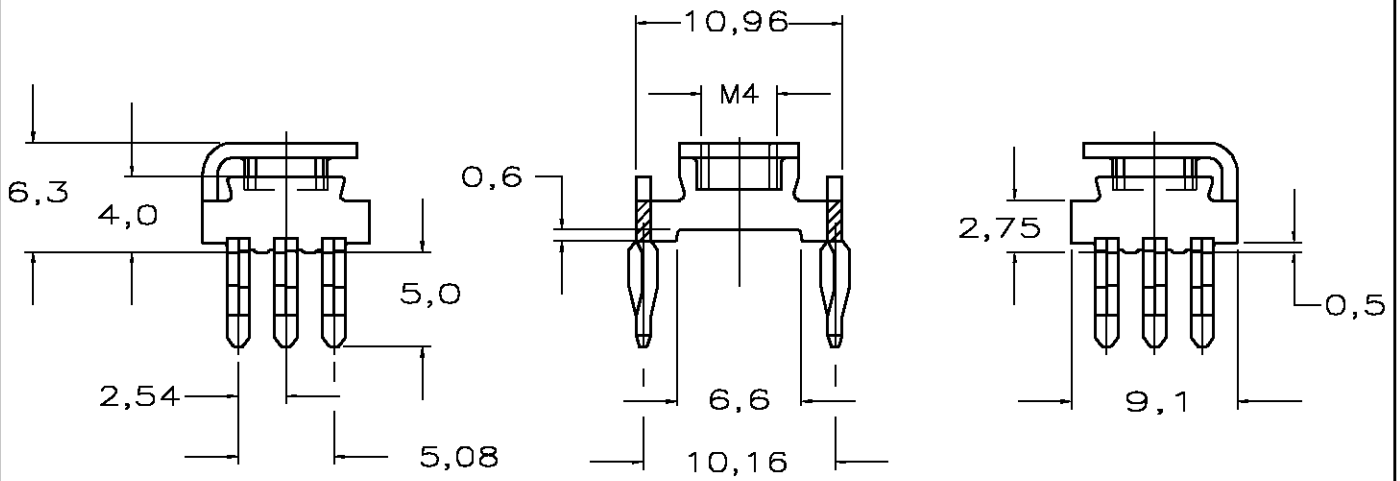
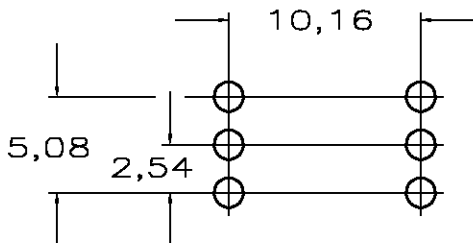


LOC H	DIST —	REVISIONS			
P	LTR	DESCRIPTION	DATE	DWN	APVD
	C	ECR-05-006211	13JUL05	CJF	JB




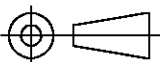
NOTES :

- 1 PLATING: Sn PLATE TO ASTM B 545 AND NI UNDERCOAT TO ASTM B 571 ALL OVER
- 2 MATERIAL THICKNESS 0,8 mm .



RECOMMENDED BOARD LAYOUT

THIS DRAWING IS UNPUBLISHED. ALL RIGHTS RESERVED. BY TYCO ELECTRONICS CORPORATION. COPYRIGHT -

DIMENSIONS: MM		DWN S.MEEUWSEN 13FEB90	MATERIAL —	PHOSPHORBRONZE	216907-1
TOLERANCES UNLESS OTHERWISE SPECIFIED:		CHK R.V.LOKVEN 03APR90	FINISH —	MATERIAL	PART NUMBER
0 PLC ± -		APVD L.V. SOEST 03APR90	 Tyco Electronics Corporation s-Hertogenbosch, Nederland,		
1 PLC ± -		PRODUCT SPEC 108-19059			
2 PLC ± -		APPLICATION SPEC —	NAME POWER TERMINAL WITH ACTION PIN (1,6-3,2 P.C.BOARD THK'S.)		
3 PLC ± -		WEIGHT —	SIZE A4	CAGE CODE 00779	DRAWING NO C-216907
4 PLC ± -			RESTRICTED TO —		
ANGLES ± -		CUSTOMER DRAWING			SCALE 1:1
		SHEET 1 OF 1			REV C