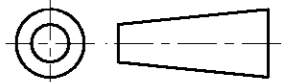


DO NOT SCALE

DIMENSIONS IN mm

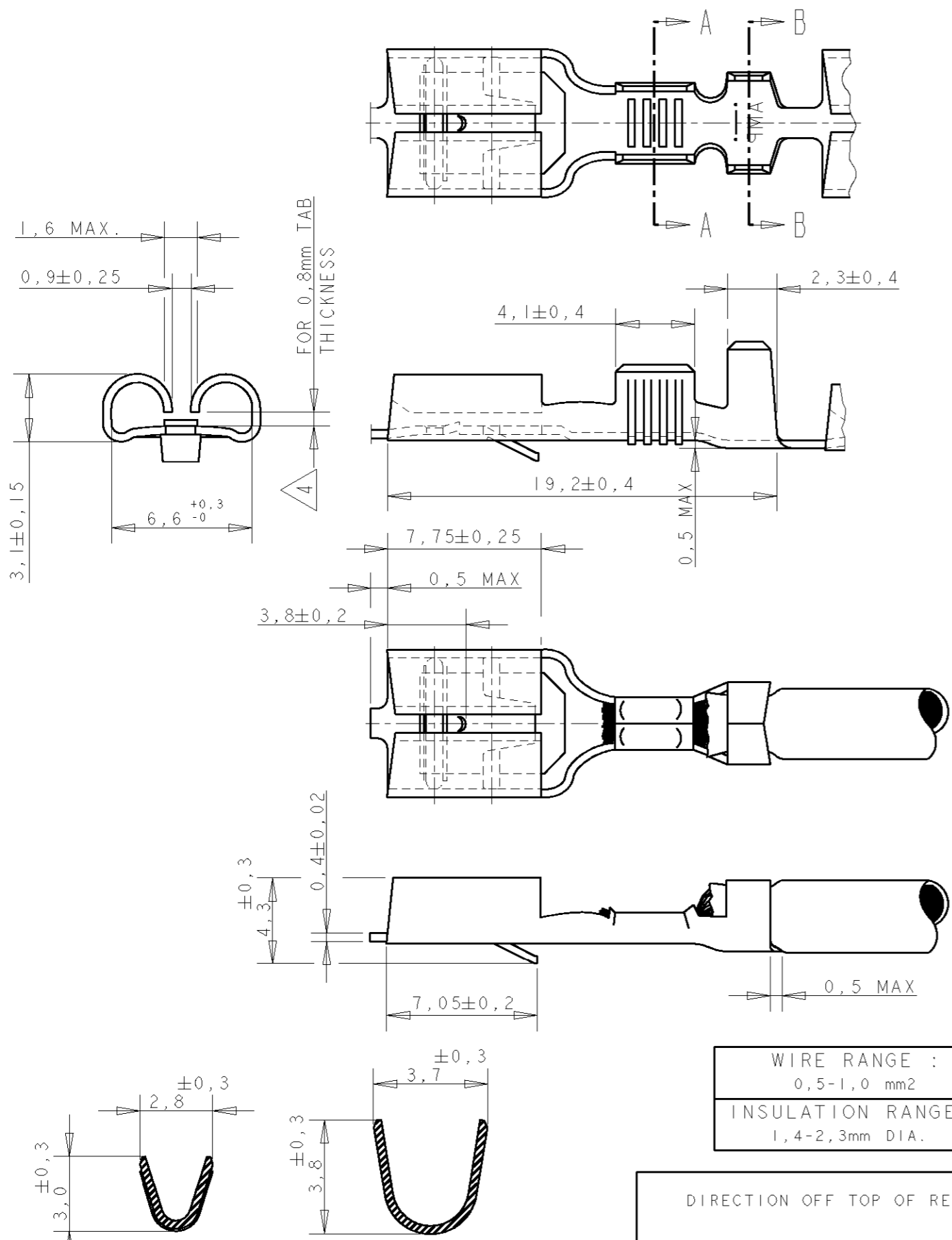
METRIC

THIRD ANGLE
PROJECTION

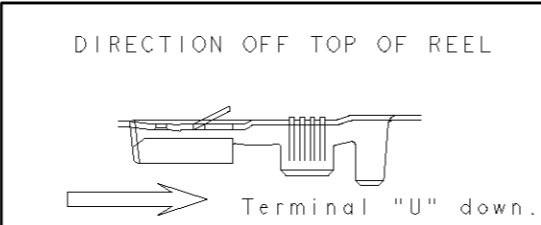


NOTES:

- 1 FOR USE ON MINIATURE APPLICATORS (LEFT-RIGHT FEED) AND STANDARD APPLICATORS (RIGHT-LEFT FEED).
- 2 BRASS ACC ASTM B36 ALLOY 260.
- 3 PH.BRONZE ACC ASTM B103.
- 4 GAGE 0,71 MUST NOT ENTER ; GAGE 0,51 MUST ENTER.
- 5 REELED WITH PAPER COVER
- 6 OBSOLETE PARTS: OBSOLETE CIS STREAMLINING PER D.RENAUD/D.SINISI



WIRE RANGE :
0,5-1,0 mm²
INSULATION RANGE :
1,4-2,3mm DIA.



GENERAL TOLERANCES ±0.3

| 6 | NOTES | FINISH | MATERIAL | PARTNUMBER |
|---|-------|---------------|-----------|-----------------------|
| | 1 3 | PRE-TINPLATED | PH.BRONZE | 6-160860-8 |
| | 1 2 | PRE-TINPLATED | BRASS | 6-160860-7 |
| | 1 3 | TINPLATED | PH.BRONZE | 160860-4 |
| | 1 3 | UNPLATED | PH.BRONZE | 160860-3 |
| | 1 2 | TINPLATED | BRASS | 160860-2 |
| | 1 2 | UNPLATED | BRASS | 160860-1 |

CUSTOMER DRAWING FOR REFERENCE ONLY
WILL NOT BE UPDATED

THIS DRAWING IS UNPUBLISHED
RELEASED FOR PUBLICATION



NAME
.250 SRS FASTIN-ON
RECEPTACLE

| | | | | | |
|-----------|---------------------------|-----------|------------|----------------|-----------|
| D2 | REVISED PER ECO-11-005140 | RK | HMR | 01APR11 | |
| LTR. | REVISION RECORD | DR. | CHK. | DATE | |
| DR.: | P.BEIJNON | CHK.: | A.BIJNEN | APP.: | L.v.SOEST |
| DATE: | 14-03-90 | DATE: | - | DATE: | 18-04-90 |

| | | | | | | |
|---------|--------|----------|-----------|-------|--------|----|
| DWG.No. | 160860 | REV.LTR. | D2 | SHEET | 1 OF 1 | A3 |
|---------|--------|----------|-----------|-------|--------|----|