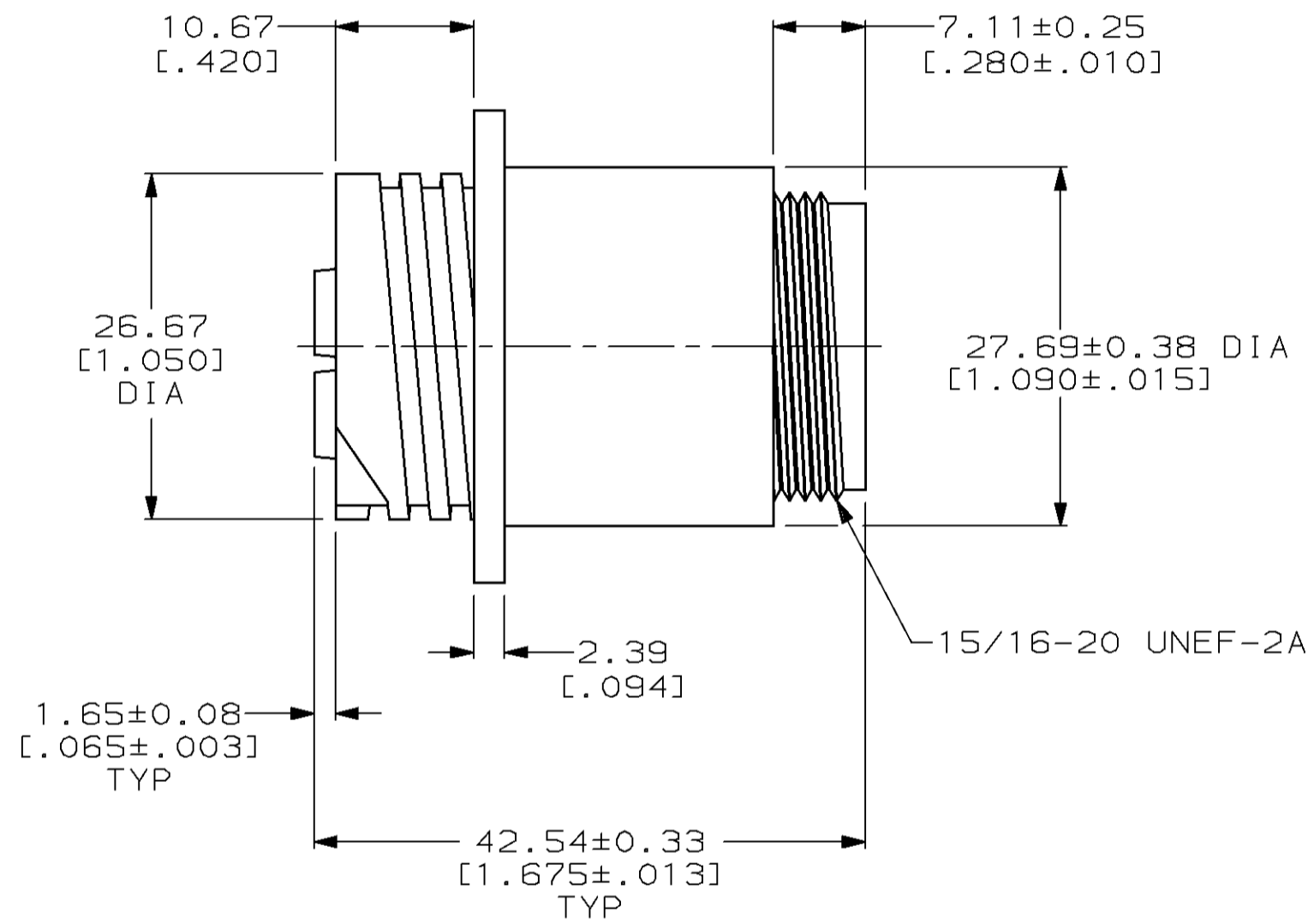
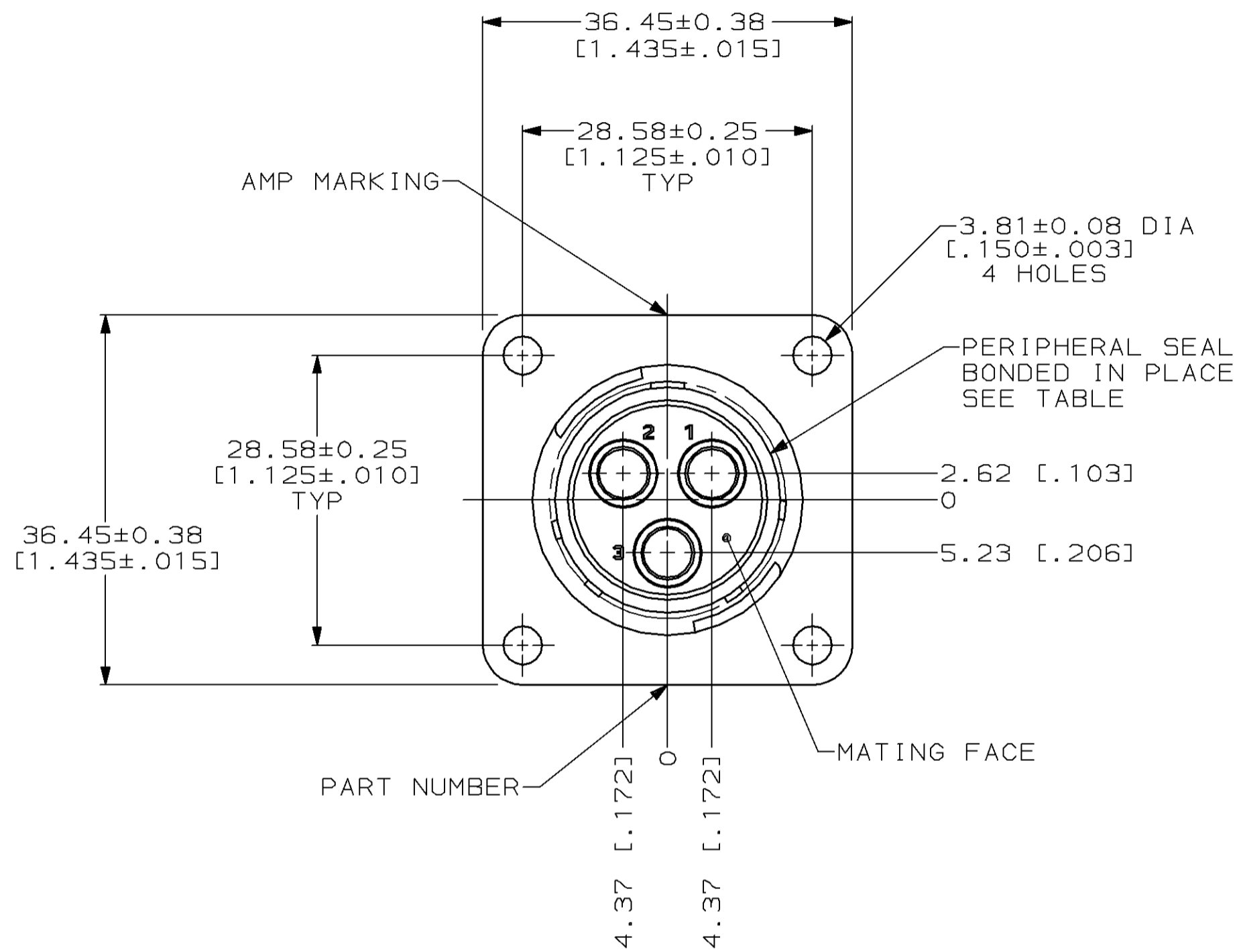


THIS DRAWING IS UNPUBLISHED. RELEASED FOR PUBLICATION  
 BY AMP INCORPORATED. ALL RIGHTS RESERVED.

LOC	DIST	REVISIONS					
		P	LTR	DESCRIPTION	DATE	DWN	APVD
BD	35			RELEASED -1 PER NPR 5365, WAS 95-7970-17	06/23/95	-	-
		A		ADDED -2 AND REVISED PER EC 0020-900-95	15 SEP 95	DH	AF



YES	213889-2
NO	213889-1
PERIPHERAL SEAL	PART NUMBER

THIS DRAWING IS A CONTROLLED DOCUMENT FOR AMP INCORPORATED. IT IS SUBJECT TO CHANGE AND THE CONTROLLING ENGINEERING ORGANIZATION SHOULD BE CONTACTED FOR THE LATEST REVISION.		DWN	D.HARDY	06/23/95	<b>AMP</b> AMP Incorporated Harrisburg, PA 17105-3608	
DIMENSIONS:		CHK	R.STONE	06/29/95		
mm [INCHES]		APVD	A.FRANTUM	06/29/95		
TOLERANCES UNLESS OTHERWISE SPECIFIED:		PRODUCT SPEC	108-1579			
0 PLC ±-		APPLICATION SPEC	-		NAME	RECEPTACLE HOUSING, REVERSE SEX, SERIES 5, 17-3, CIRCULAR PLASTIC CONNECTOR
1 PLC ±-		MATERIAL	NYLON, BLACK		SIZE	A2
2 PLC ±0.13 [.005]		FINISH	-		CAGE CODE	00779
3 PLC ±-					DRAWING NO	C-213889
4 PLC ±-					SCALE	2:1
ANGLES ±-					SHEET	1 OF 1
FINISH -					REV	A
CUSTOMER DRAWING						

213889