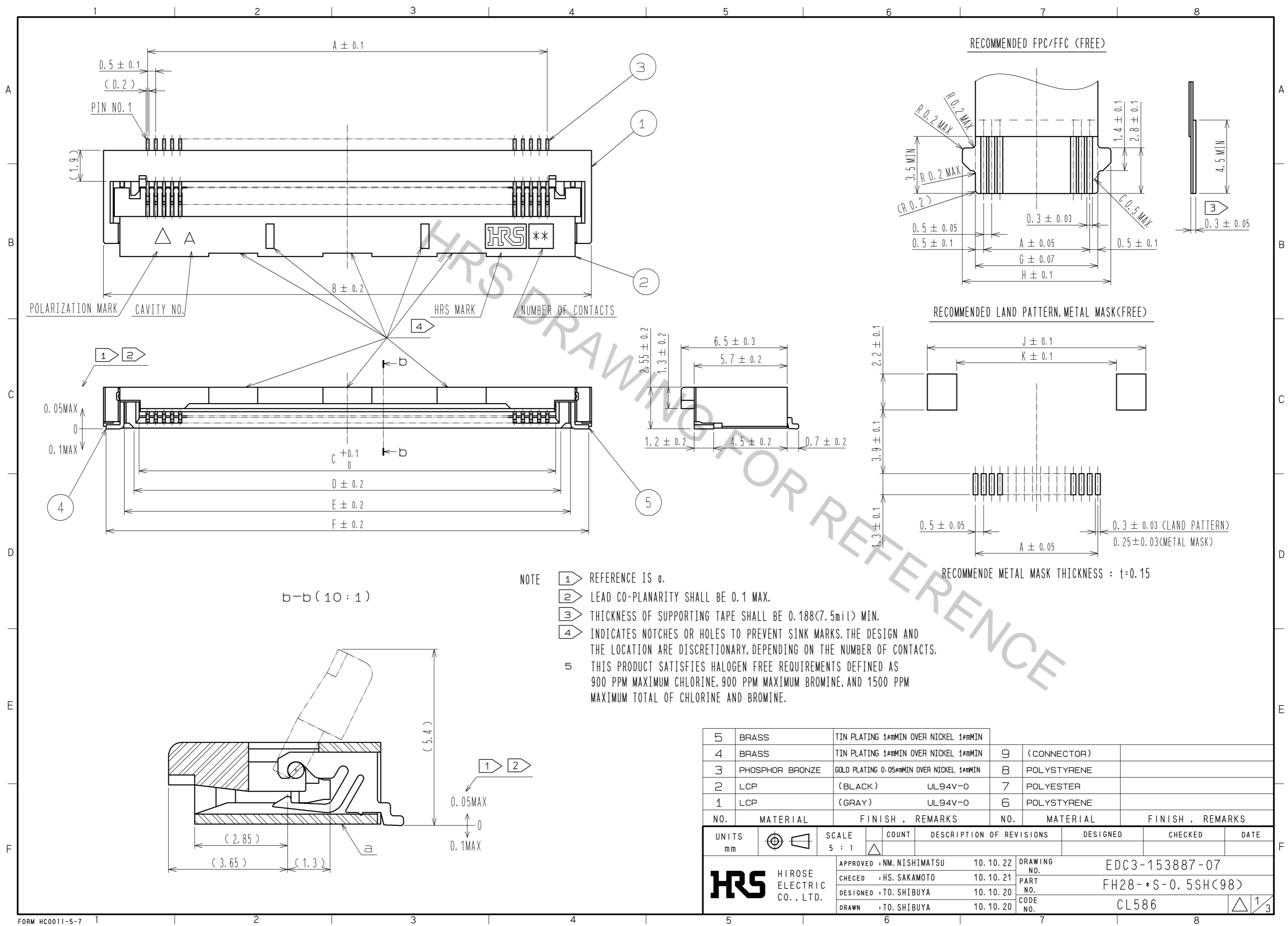


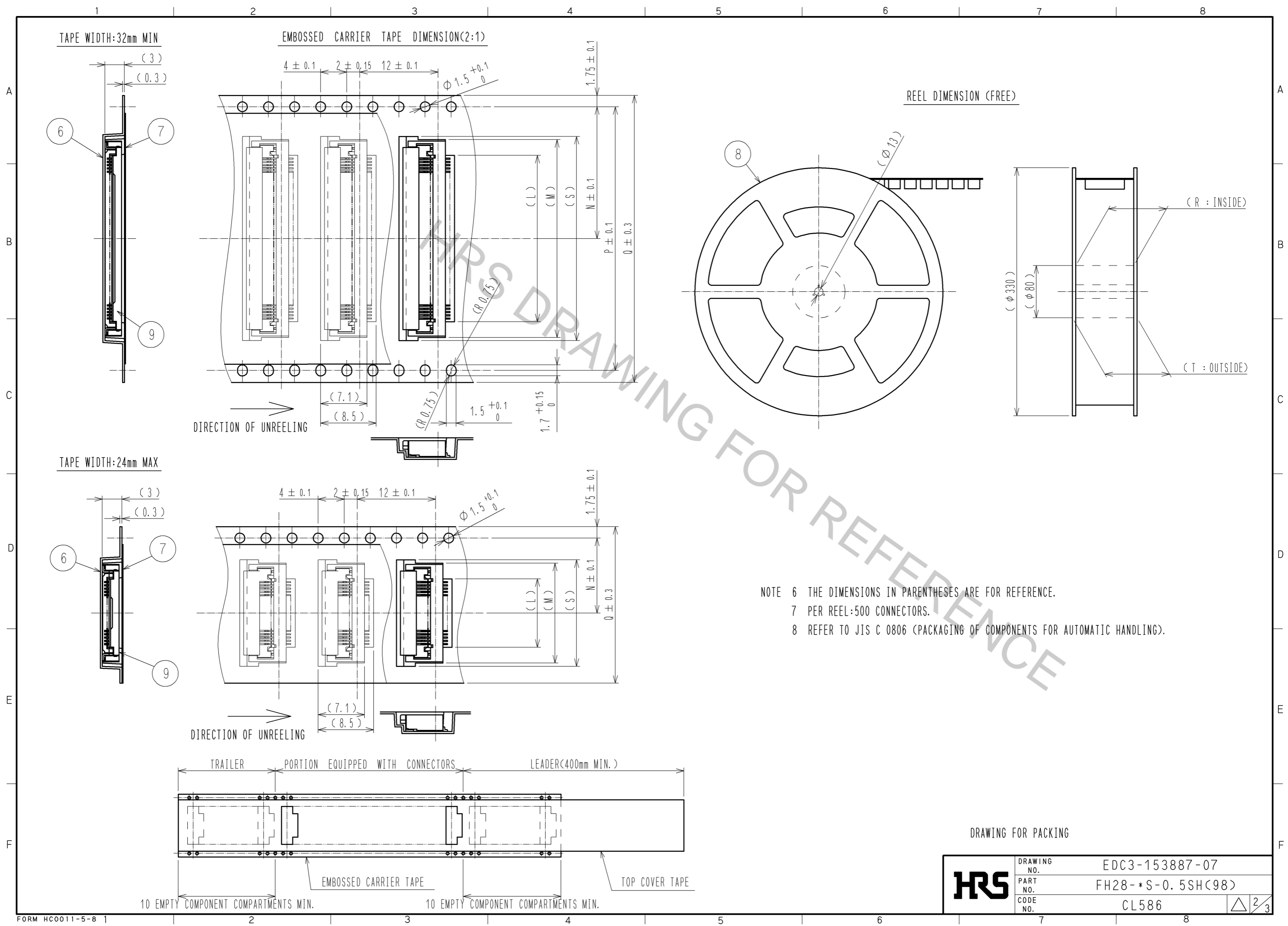
Nov.1.2016 Copyright 2016 HIROSE ELECTRIC CO., LTD. All Rights Reserved.



- NOTE
- REFERENCE IS a.
 - LEAD CO-PLANARITY SHALL BE 0.1 MAX.
 - THICKNESS OF SUPPORTING TAPE SHALL BE 0.188(7.5mil) MIN.
 - INDICATES NOTCHES OR HOLES TO PREVENT SINK MARKS. THE DESIGN AND THE LOCATION ARE DISCRETIONARY, DEPENDING ON THE NUMBER OF CONTACTS.
 - THIS PRODUCT SATISFIES HALOGEN FREE REQUIREMENTS DEFINED AS 900 PPM MAXIMUM CHLORINE, 900 PPM MAXIMUM BROMINE, AND 1500 PPM MAXIMUM TOTAL OF CHLORINE AND BROMINE.

5	BRASS	TIN PLATING 1#MMIN OVER NICKEL 1#MMIN						
4	BRASS	TIN PLATING 1#MMIN OVER NICKEL 1#MMIN	9	(CONNECTOR)				
3	PHOSPHOR BRONZE	GOLD PLATING 0.05#MMIN OVER NICKEL 1#MMIN	8	POLYSTYRENE				
2	LCP	(BLACK) UL94V-0	7	POLYESTER				
1	LCP	(GRAY) UL94V-0	6	POLYSTYRENE				
NO.	MATERIAL	FINISH . REMARKS	NO.	MATERIAL	FINISH . REMARKS			
UNITS	mm	SCALE	5 : 1	COUNT	DESCRIPTION OF REVISIONS	DESIGNED	CHECKED	DATE
APPROVED : NM. NISHIMATSU		10.10.22		DRAWING NO.		EDC3-153887-07		
CHECKED : HS. SAKAMOTO		10.10.21		PART NO.		FH28-*S-0.5SH(98)		
DESIGNED : TO. SHIBUYA		10.10.20		CODE NO.		CL586		
DRAWN : TO. SHIBUYA		10.10.20						

Nov.1.2016 Copyright 2016 HIROSE ELECTRIC CO., LTD. All Rights Reserved.



REEL DIMENSION (FREE)

NOTE 6 THE DIMENSIONS IN PARENTHESES ARE FOR REFERENCE.
 7 PER REEL:500 CONNECTORS.
 8 REFER TO JIS C 0806 (PACKAGING OF COMPONENTS FOR AUTOMATIC HANDLING).

DRAWING FOR PACKING

HRS	DRAWING NO.	EDC3-153887-07
	PART NO.	FH28-*S-0.5SH(98)
	CODE NO.	CL586
		△ 2/3

DIMENSION TABLE OF CONNECTOR, FPC, FFC, LAND PATTERN AND METAL MASK

PART NO.	CODE NO.	*	A	B	C	D	E	F	G	H	J	K
FH28-10S-0.5SH(98)	CL586-1861-4-98	10	4.5	9.9	5.57	6.15	7.35	9.58	5.5	7.1	10.6	7
FH28-40S-0.5SH(98)	CL586-1803-8-98	40	19.5	24.9	20.57	21.15	22.35	24.58	20.5	22.1	25.6	22
FH28-45S-0.5SH(98)	CL586-1848-6-98	45	22	27.4	23.07	23.65	24.85	27.08	23	24.6	28.1	24.5
FH28-50S-0.5SH(98)	CL586-1801-2-98	50	24.5	29.9	25.57	26.15	27.35	29.58	25.5	27.1	30.6	27
FH28-55S-0.5SH(98)	CL586-1800-0-98	55	27	32.4	28.07	28.65	29.85	32.08	28	29.6	33.1	29.5
FH28-60S-0.5SH(98)	CL586-1811-6-98	60	29.5	34.9	30.57	31.15	32.35	34.58	30.5	32.1	35.6	32

DIMENSION TABLE OF DRAWING FOR PACKING

PART NO.	CODE NO.	*	L	M	N	P	Q	R	T	S
FH28-10S-0.5SH(98)	CL586-1861-4-98	10	5.5	10.3	11.5	-	24	25.4	29.4	11.3
FH28-40S-0.5SH(98)	CL586-1803-8-98	40	20.5	25.3	20.2	40.4	44	45.4	49.4	-
FH28-45S-0.5SH(98)	CL586-1848-6-98	45	23	27.8	20.2	40.4	44	45.4	49.4	28.8
FH28-50S-0.5SH(98)	CL586-1801-2-98	50	25.5	30.3	20.2	40.4	44	45.4	49.4	-
FH28-55S-0.5SH(98)	CL586-1800-0-98	55	28	32.8	20.2	40.4	44	45.4	49.4	-
FH28-60S-0.5SH(98)	CL586-1811-6-98	60	30.5	35.3	26.2	52.4	56	57.4	61.4	-

* : NUMBER OF CONTACTS

HRS	DRAWING NO.	EDC3-153887-07
	PART NO.	FH28-*S-0.5SH(98)
	CODE NO.	CL586
		△ 3/3