

## Datasheet

ENGLISH

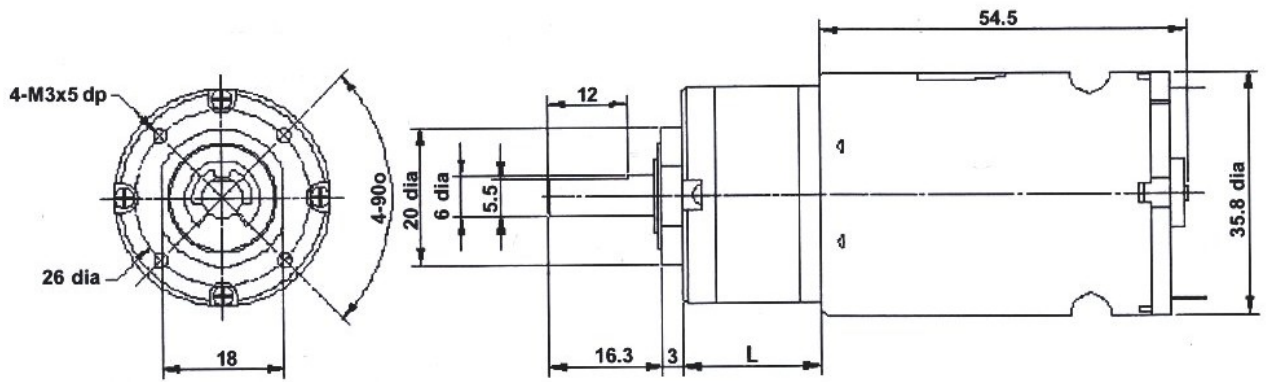
# RS PRO, 12 V dc, 640 gcm, Brushed DC Geared Motor, Output Speed 2900 rpm

Stock No: 454-0877



## Specifications:

|                       |           |
|-----------------------|-----------|
| Output Speed          | 2900 rpm  |
| Supply Voltage        | 12 V dc   |
| Maximum Output Torque | 640 g.cm  |
| DC Motor Type         | Brushed   |
| Shaft Diameter        | 6mm       |
| Power Rating          | 19.8 W    |
| Gearhead Type         | Planetary |
| Length                | 76.5mm    |
| Width                 | 35.8mm    |
| Current Rating        | 2.8 A     |
| Weight                | 261g      |



Operating relative humidity 20% ~ 85%  
 Operating temperature range -10°C ~ +60°C

| Ratio | L      |
|-------|--------|
| 5:1   | 22.0mm |

|                                |                 |
|--------------------------------|-----------------|
| Gearbox Housing material       | Metal           |
| Backlash at no-load            | < 2.5°          |
| Bearing at output              | Sleeve bearings |
| Radial load (10mm from flange) | < 3 kgf         |
| Shaft axial load               | < 2.5 kgf       |
| Shaft press fit force max      | < 10 kgf        |
| Radial play of shaft           | < 0.05mm        |
| Thrust play of shaft           | < 0.3mm         |

| Reduction Ratio | Rated tolerance Torque | Max momentary Tolerance Torque | Efficiency |
|-----------------|------------------------|--------------------------------|------------|
| 1/5             | 2 kgf-cm Max.          | 6 kgf-cm                       | 80%        |

| Reduction Table RPM<br>SUPPLY VOLTAGE | 4.5v | 6v   | 9v   | 12v  | 15v  |
|---------------------------------------|------|------|------|------|------|
| 454-0877                              | 1088 | 1450 | 2175 | 2900 | 3625 |

Note: Motor speeds may vary by (+) or (-) 12.5%