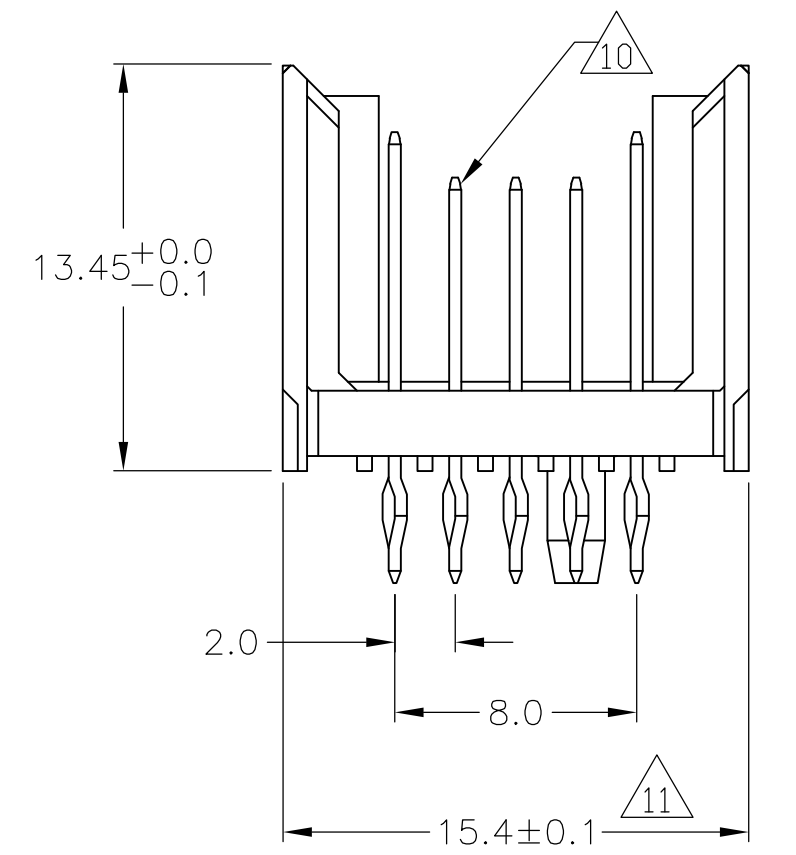
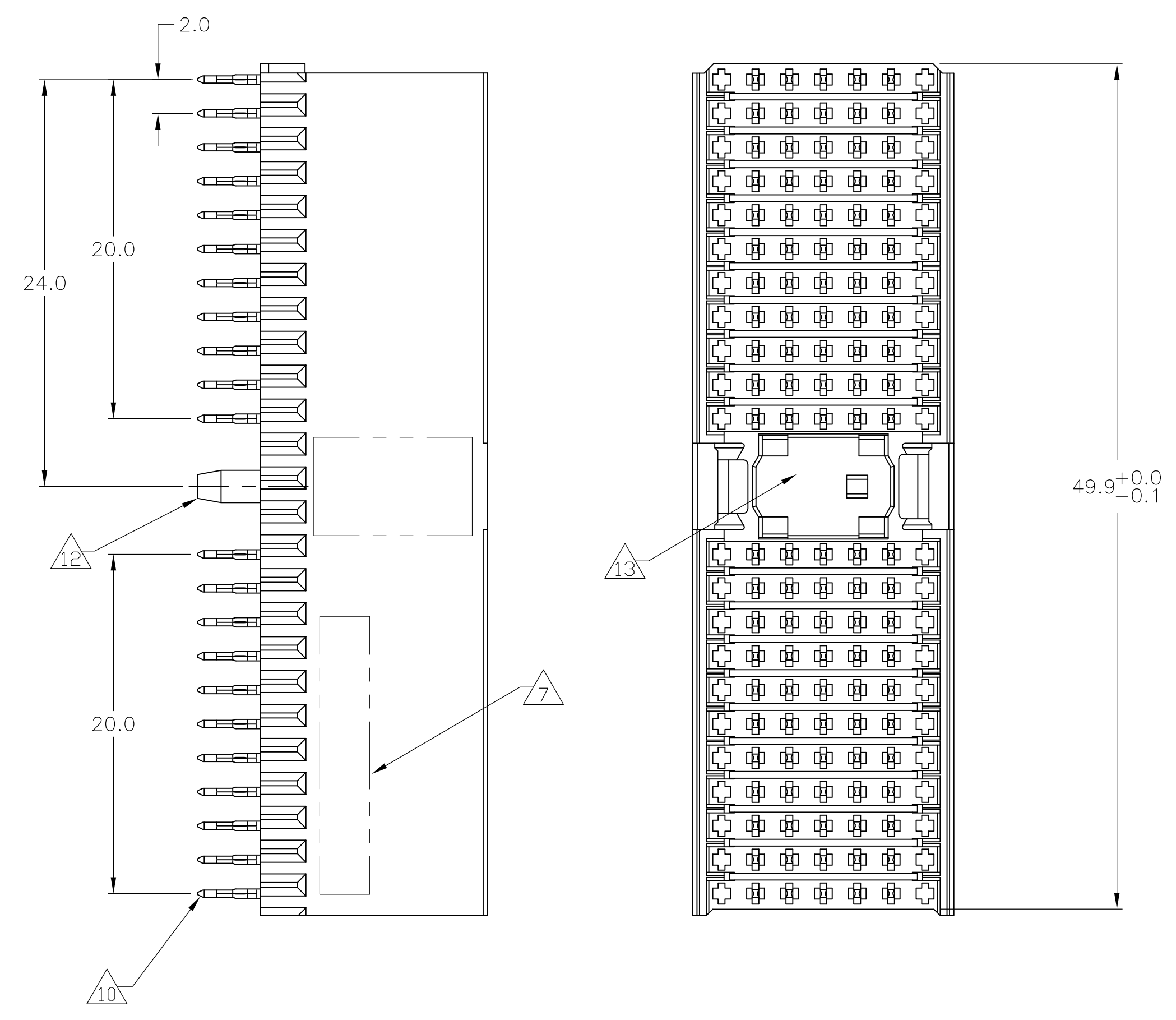
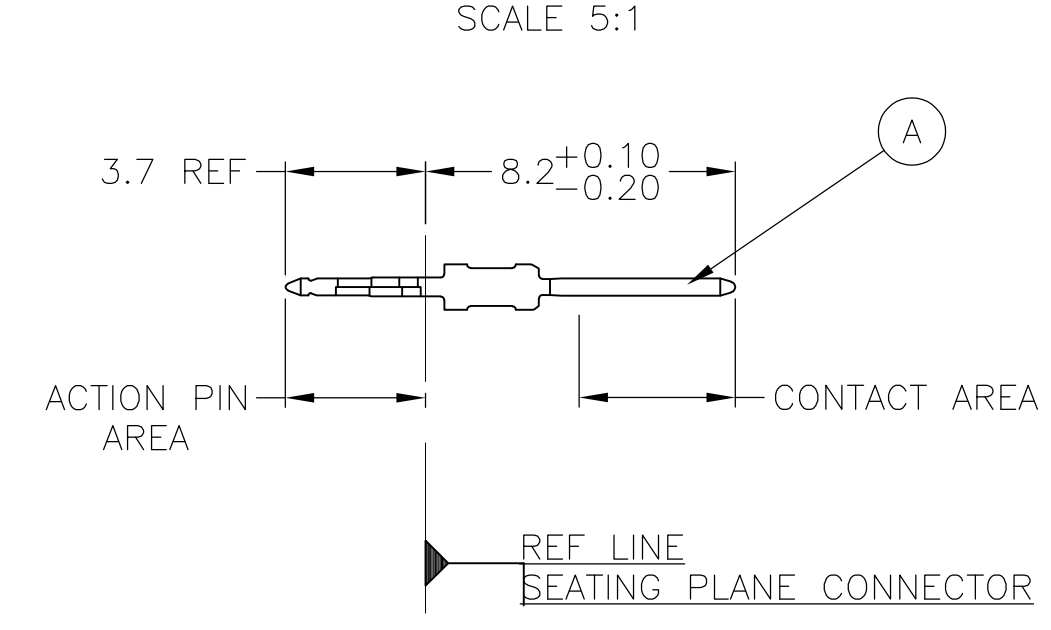


| LOC |         | DIST          |           | REVISIONS |      |  |  |
|-----|---------|---------------|-----------|-----------|------|--|--|
| P   | LTR     | DESCRIPTION   | DATE      | DN        | APVD |  |  |
| N1  | REV PER | ECR-09-027136 | 11DEC2009 | JY        | SY   |  |  |

### CONNECTOR ASSEMBLY EXAMPLARY LOADED



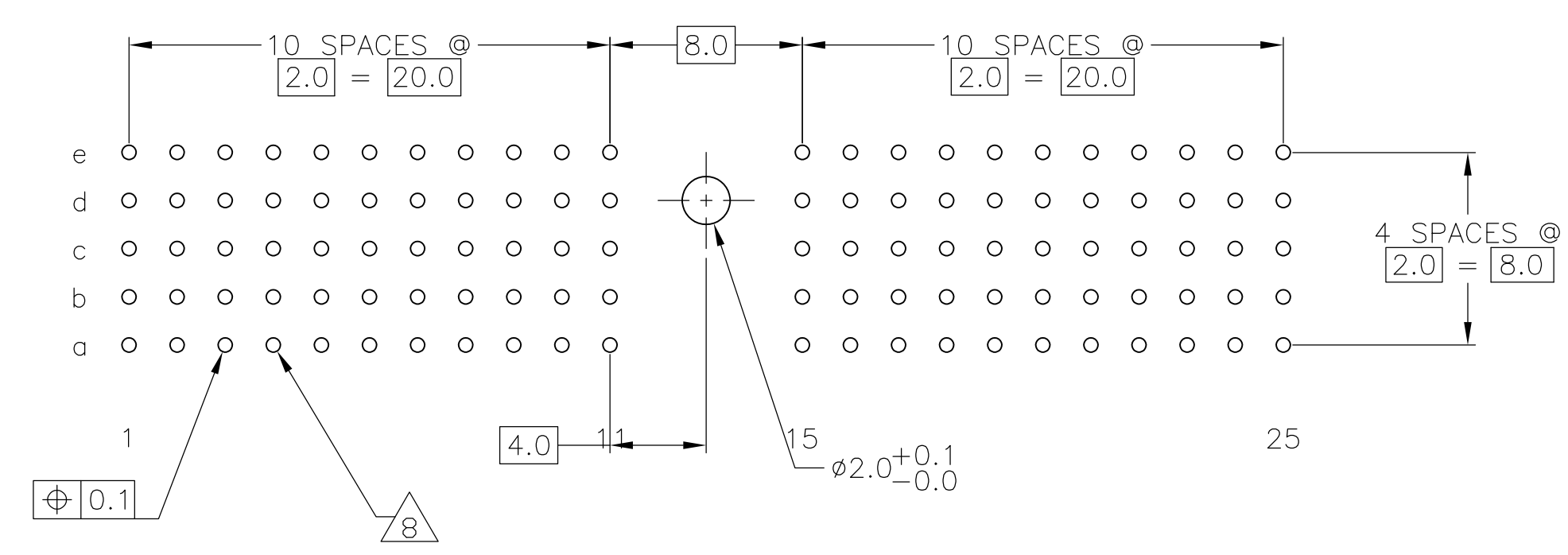
### CONTACT DIMENSIONS



### CONTACT LAYOUT

|                      | z | a | b | c | d | e | f |
|----------------------|---|---|---|---|---|---|---|
| 1                    | A | A | A | A | A |   |   |
| 2                    | A | A | A | A | A |   |   |
| 3                    | A | A | A | A | A |   |   |
| 4                    | A | A | A | A | A |   |   |
| 5                    | A | A | A | A | A |   |   |
| 6                    | A | A | A | A | A |   |   |
| 7                    | A | A | A | A | A |   |   |
| 8                    | A | A | A | A | A |   |   |
| 9                    | A | A | A | A | A |   |   |
| 10                   | A | A | A | A | A |   |   |
| 11                   | A | A | A | A | A |   |   |
| MULTI PURPOSE CENTER |   |   |   |   |   |   |   |
| 15                   | A | A | A | A | A |   |   |
| 16                   | A | A | A | A | A |   |   |
| 17                   | A | A | A | A | A |   |   |
| 18                   | A | A | A | A | A |   |   |
| 19                   | A | A | A | A | A |   |   |
| 20                   | A | A | A | A | A |   |   |
| 21                   | A | A | A | A | A |   |   |
| 22                   | A | A | A | A | A |   |   |
| 23                   | A | A | A | A | A |   |   |
| 24                   | A | A | A | A | A |   |   |
| 25                   | A | A | A | A | A |   |   |

### RECOMMENDED PCB-HOLE LAYOUT COMPONENT SIDE SHOWN



### PLATED THRU HOLES PARAMETERS

REFERENCE APPLICATION SPECIFICATION

|        |             |
|--------|-------------|
| 2 3 15 | 3-100143-0  |
| 2 6 14 | 1-100143-9  |
| 2 5 14 | 100143-9    |
| 2 4    | 100143-4    |
| 2 3    | 100143-1    |
| FINISH | PART NUMBER |

|  |       |                           |   |               |
|--|-------|---------------------------|---|---------------|
| THIS DRAWING IS A CONTROLLED DOCUMENT. |       | DIN<br>F. BEUN<br>11NOV98 | Tyco Electronics Corporation<br>Harrisburg, Pa 17105-3608 |               |
| DIMENSIONS:<br>mm                      |       | CHK<br>L. REE<br>11NOV98  | NAME  |               |
| TOLERANCES UNLESS OTHERWISE SPECIFIED: |       | PRODUCT SPEC              |   |               |
| 0. PLC                                 | ± -   | 108-19082                 |   |               |
| 1. PLC                                 | ± 0.1 | APPLICATION SPEC          |   |               |
| 2. PLC                                 | ± -   | 114-19029                 |   |               |
| 3. PLC                                 | ± -   | SIZE                      | CAGE CODE   | DRAWING NO    |
| 4. PLC                                 | ± -   | WEIGHT                    | A1 00779  | 100143        |
| ANGLES                                 | ± -   | CUSTOMER DRAWING          |   | RESTRICTED TO |
| MATERIAL                               |       | SCALE 4:1                 |   | SHEET 1 OF 2  |
| FINISH                                 |       | SEE TABLE                 |   | REV N1        |

- 1 MATERIAL:  
CONTACT: PHOSPHOR BRONZE.  
HOUSING: GLASS-FILLED POLYESTER.
- 2 GENERAL PLATING SPECIFICATION: UNDERPLATING  
(ENTIRE CONTACT): 1.27μm MIN NICKEL AND ACTION  
PIN: 0.5μm MIN TIN LEAD.  
FOR PLATING OF MATING SURFACES SEE APPLICABLE  
SPECIFICATION REFERENCE FOR EACH DASH NUMBER.
- 3 CONFORMS TO ALL TESTING ACCORDING TO IEC 61076-4-101  
PERFORMANCE LEVEL 2.
- 4 CONFORMS TO ALL TESTING ACCORDING TO IEC 61076-4-101  
PERFORMANCE LEVEL 1.
- 5 CONNECTOR TESTED AND QUALIFIED AGAINST TELCORDIA GR-1217-CORE QUALITY LEVEL 3,  
CENTRAL OFFICE APPLICATIONS.
- 6 CONNECTOR TESTED AND QUALIFIED AGAINST TELCORDIA GR-1217-CORE QUALITY LEVEL 3,  
UNCONTROLLED ENVIROMENT APPLICATIONS.
- 7 CONNECTOR MARKED WITH PART NUMBER AND DATE CODE.  
ADDITIONAL CHARACTERS OR MARKINGS, AS WELL AS THE LOCATION OF THE MARKINGS,  
MAY BE ADDED FOR TRACEABILITY BASED UPON MANUFACTURERS DISCRETION.
- 8 PLATED-THROUGH HOLES AT 2x2mm SQUARE GRID  
PATTERN DEFINED BY CONTACT LAYOUT.
- 9 FOR ACTUAL PIN LOADING SEE "CONTACT LAYOUT".
- 10 FOR ACTUAL PIN DIMENSIONS SEE "CONTACT DIMENSIONS".
- 11 TO BE MEASURED AT BOTTOM OF SHROUD.
- 12 POLARIZATION FEATURE.
- 13 AREA RESERVED FOR KEYING PART (BASIC P/N 100525).
- 14 CONNECTOR LUBRICATED WITH BELCORE APPROVED LUBRICANT,  
TECHNICAL REFERENCE: TR-NWT-001217 ISSUE 1, SEP 1992.
- 15 0.76μm MIN GOLD PLATING AT MATING SURFACES.

|  |             |  |         |                               |            |
|--|-------------|--|---------|-------------------------------|------------|
| THIS DRAWING IS A CONTROLLED DOCUMENT. |             | DIN                                    | 11NOV98 | Tyco Electronics Corporation  |            |
|  |             | CHK                                    | 11NOV98 | Harrisburg, Pa 17105-3608     |            |
| DIMENSIONS:                            |             | TOLERANCES UNLESS OTHERWISE SPECIFIED: |         | NAME                          |            |
| mm                                     |             | 0. PLC                                 | ± -     | MALE ASSEMBLY, Z-PACK 2mm HM, |            |
|  |             | 1. PLC                                 | ± 0.1   | TYPE A                        |            |
|  |             | 2. PLC                                 | ± -     | PRODUCT SPEC                  |            |
|  |             | 3. PLC                                 | ± -     | 108-19082                     |            |
|  |             | 4. PLC                                 | ± -     | APPLICATION SPEC              |            |
|  |             | ANGLES                                 | ± -     | 114-19029                     |            |
| MATERIAL                               | FINISH      | WEIGHT                                 | SIZE    | CAGE CODE                     | DRAWING NO |
| SEE SHEET 1                            | SEE SHEET 1 | -                                      | A1      | 00779                         | 100143     |
| CUSTOMER DRAWING                       |             |  | SCALE   | SHEET                         | REV        |
|  |             |  | 4:1     | 2 OF 2                        | N1         |