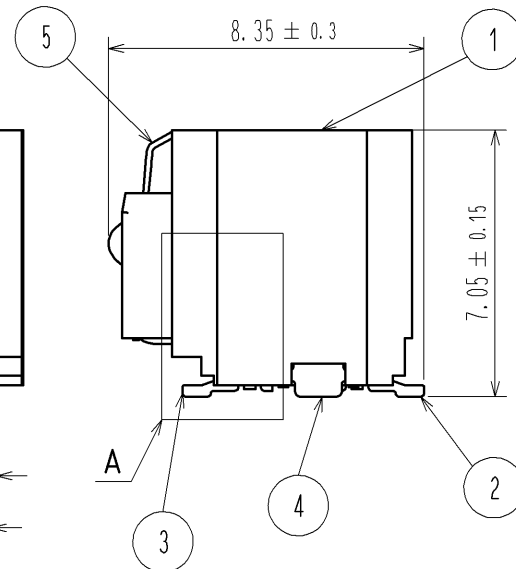
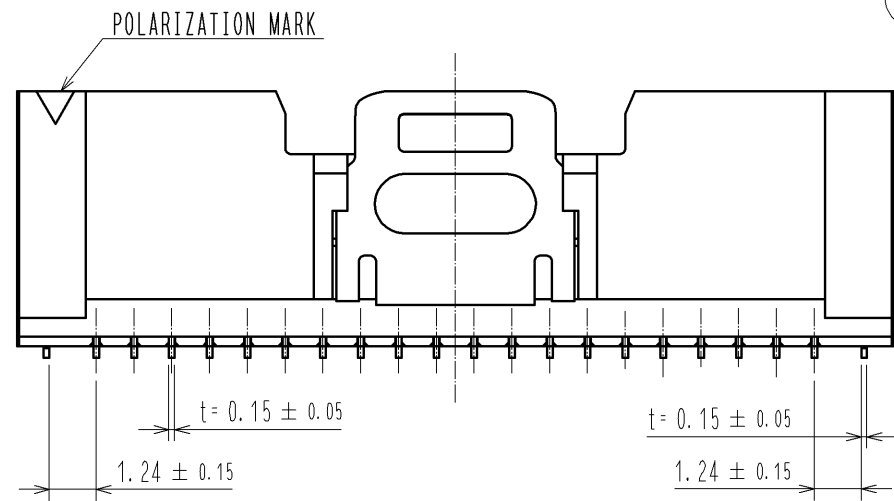
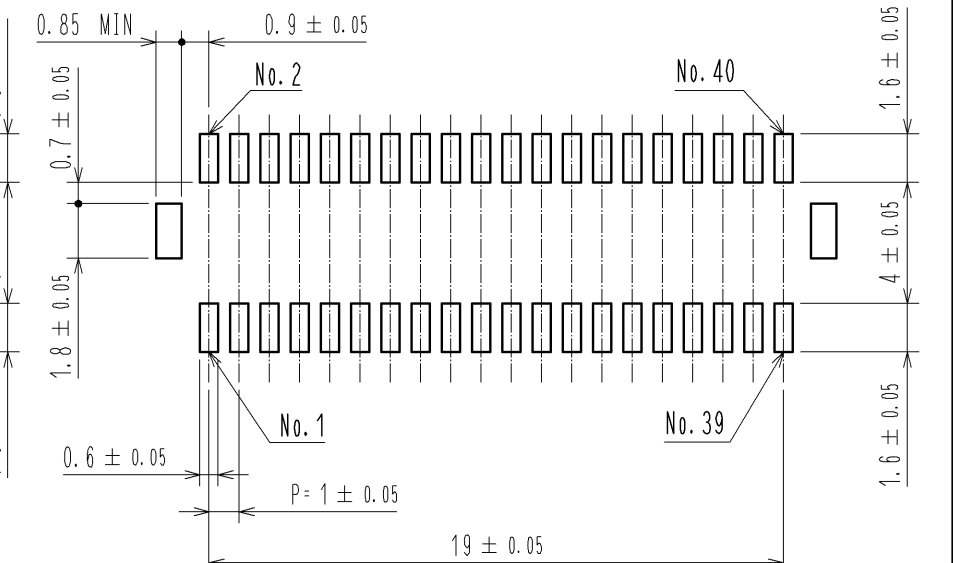
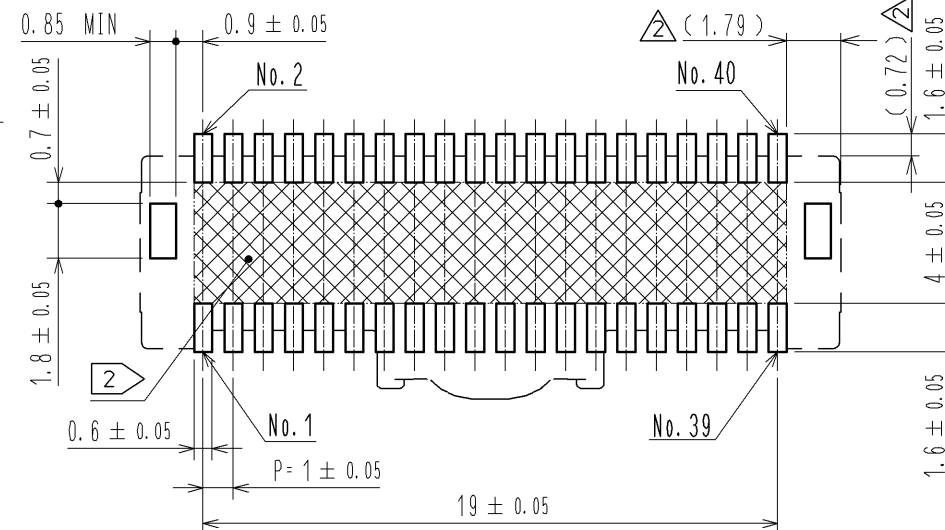
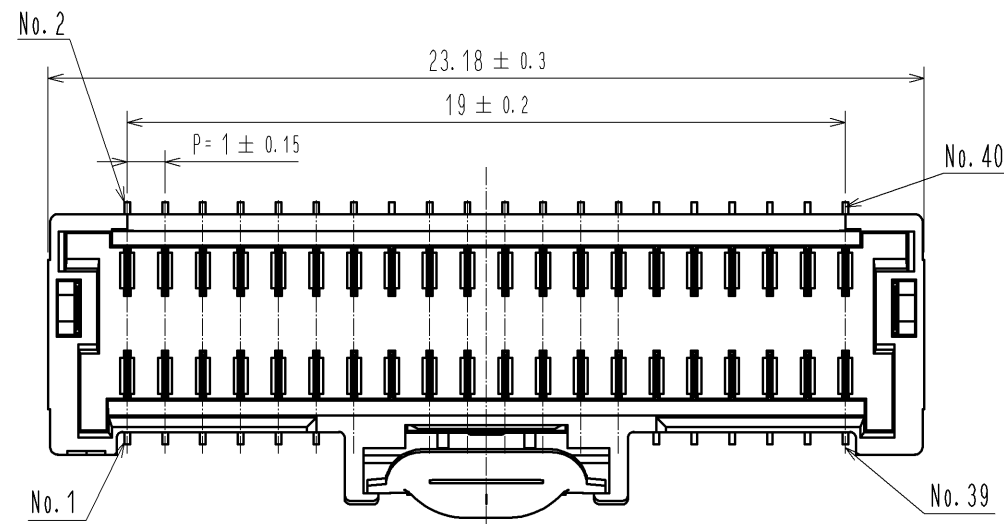


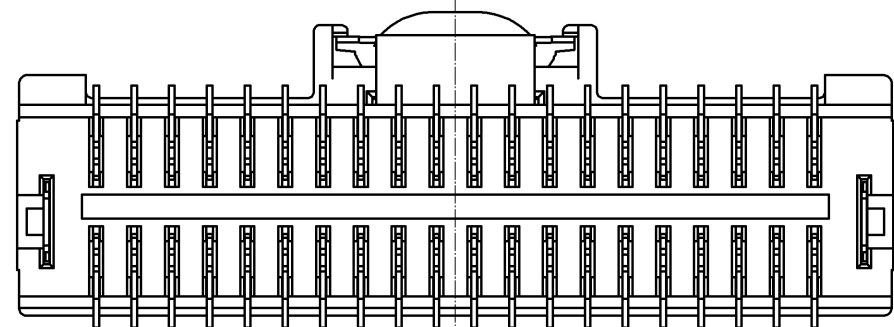
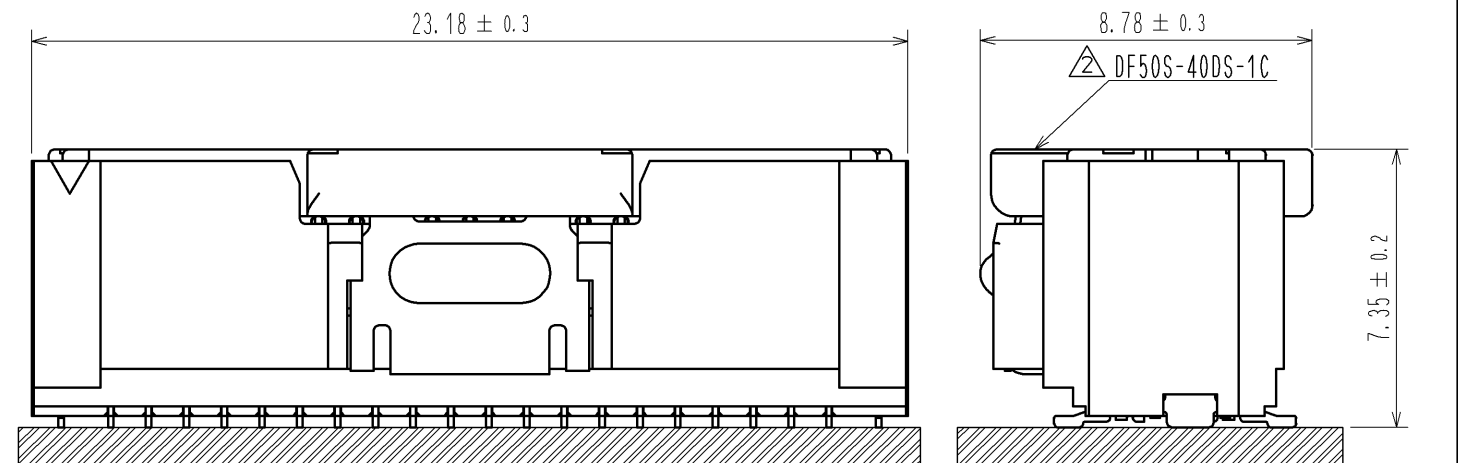
RECOMMENDED PCB LAYOUT
(MOUNTING SURFACE SIDE) (FREE)

RECOMMENDED METAL MASK (FREE)

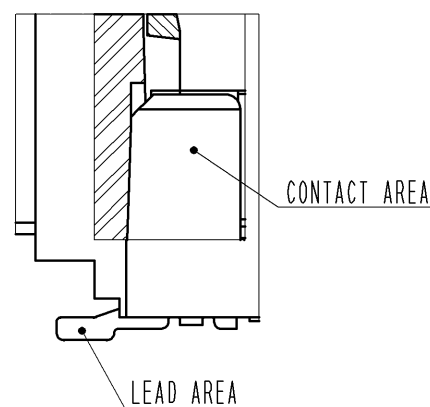
THICKNESS : 0.1mm



MATING FIGURE (5 : 1)



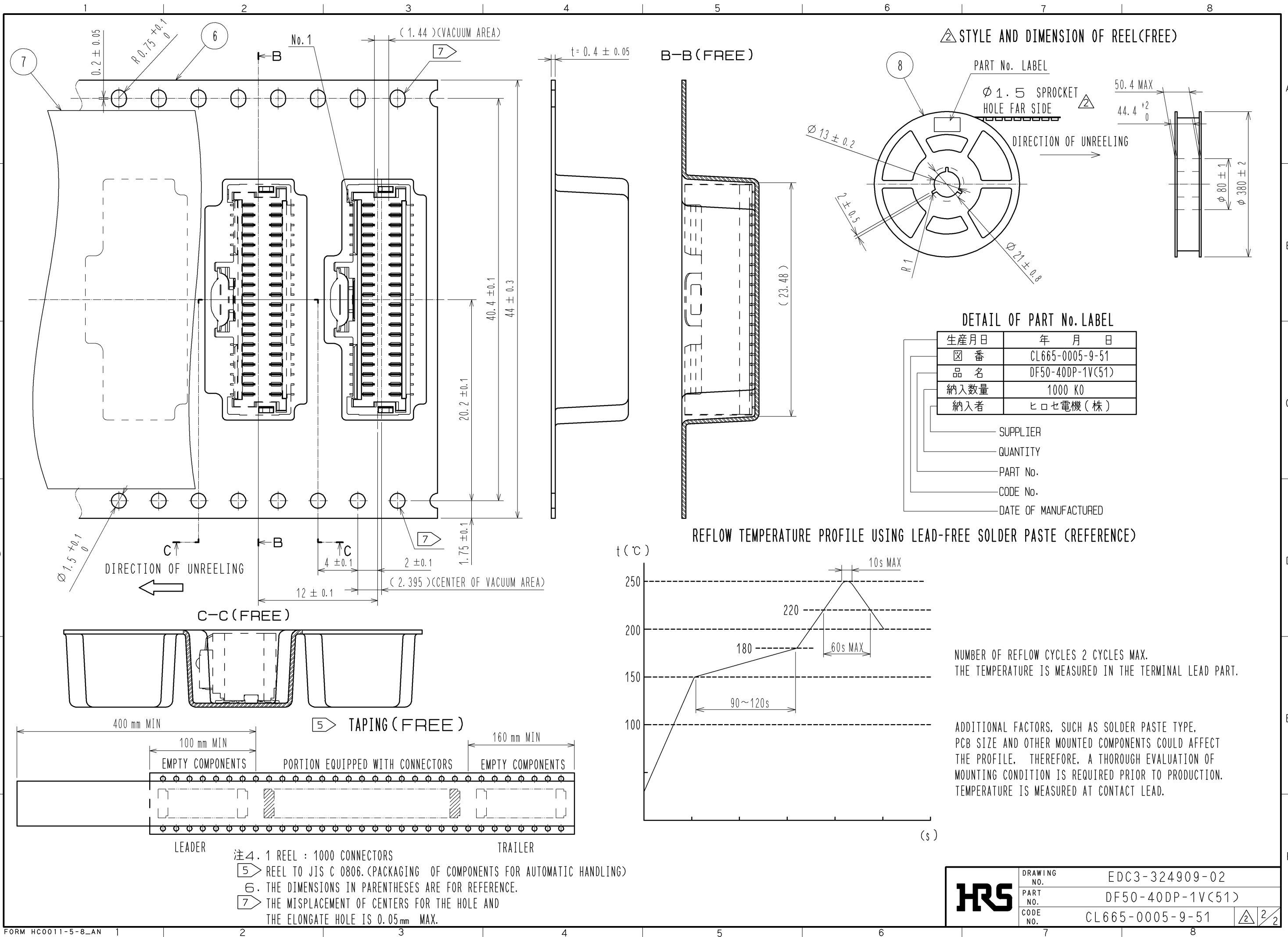
A<10:1>



- NOTES 1. LEAD CO-PLANARITY SHALL BE 0.1mm MAX
 2. AREA INDICATED MUST BE FREE OF CONDUCTIVE TRACES OR THE CONDUCTIVE TRACES MUST BE COVERED BY RESIST FILM.
 3. PLEASE CONSULT HIROSE WHEN THE PRODUCT IS MOUNTED TO FPC.

3	BRASS	CONTACT AREA : Au PLATING 0.05 μm MIN LEAD AREA : Au PLATING 0.05 μm MIN UNDER PLATING : Ni PLATING 1 μm MIN	8	PS	REEL, BLACK
			7	POLYESTER	CLEAR
2	BRASS	CONTACT AREA : Au PLATING 0.05 μm MIN LEAD AREA : Au PLATING 0.05 μm MIN UNDER PLATING : Ni PLATING 1 μm MIN	6	PS	CLEAR
			5	STAINLESS STEEL	—
1	LCP	BLACK, UL94V-0	4	BRASS	CONTACT AREA : Sn PLATING 1 μm MIN UNDER PLATING : Ni PLATING 0.5 μm MIN
NO.	MATERIAL	FINISH, REMARKS	NO.	MATERIAL	FINISH, REMARKS

UNITS mm		SCALE FREE	COUNT 5	DESCRIPTION OF REVISIONS DIS-H-007735	DESIGNED MI. SAKIMURA	CHECKED TS. KUMAZAWA	DATE 13.03.22
HRS HIROSE ELECTRIC CO., LTD.		APPROVED : TS. SAKATA	10.01.18	DRAWING NO.	EDC3-324909-02		
		CHECKED : HK. UMEHARA	10.01.18	PART NO.	DF50-40DP-1V(51)		
		DESIGNED : TT. OHSAKO	10.01.18	CODE NO.	CL665-0005-9-51		
		DRAWN : TT. OHSAKO	10.01.18				



注4. 1 REEL : 1000 CONNECTORS
 5 REEL TO JIS C 0806. (PACKAGING OF COMPONENTS FOR AUTOMATIC HANDLING)
 6. THE DIMENSIONS IN PARENTHESES ARE FOR REFERENCE.
 7 THE MISPLACEMENT OF CENTERS FOR THE HOLE AND THE ELONGATE HOLE IS 0.05mm MAX.

HRS	DRAWING NO.	EDC3-324909-02
	PART NO.	DF50-40DP-1V(51)
	CODE NO.	CL665-0005-9-51
		2/2