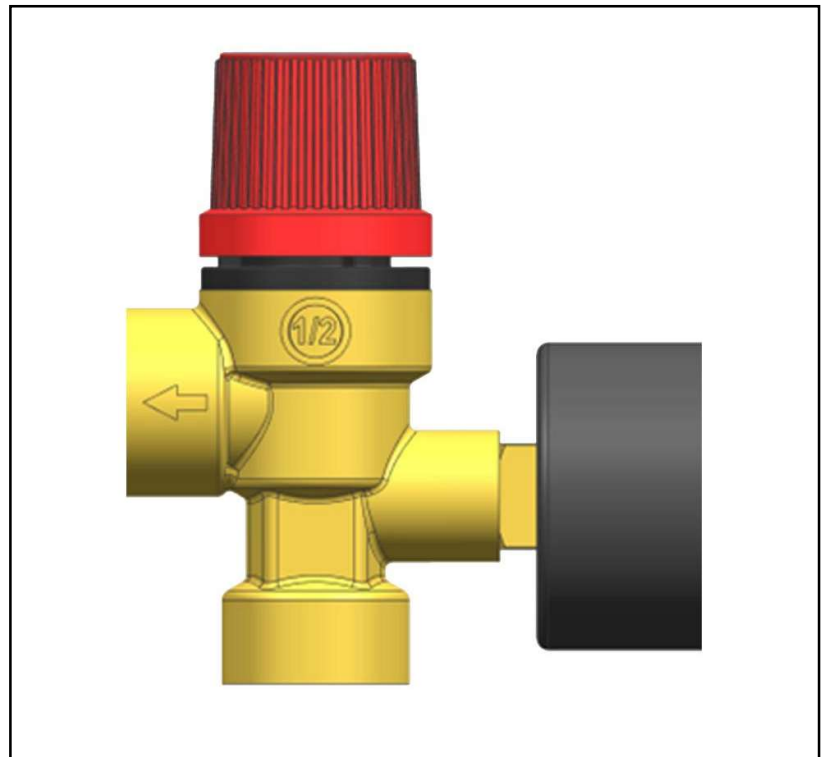


Features

- The Safety Pressure Relief Valve protects the downstream cylinder, pressure vessel etc. by automatically opening when excess pressure occurs.
- Easy venting
- Standardized discharge
- connectional Reliable and proven.
- Anti tamper head
- Automatic pressure relief

RS PRO Boiler Safety Pressure Relief Valves

RS Stock No.: 0429642



RS Professionally Approved Products bring to your professional quality parts across all product categories. Our product range has been tested by engineers and provides a comparable quality to the leading brands without paying a premium price.

Product Description

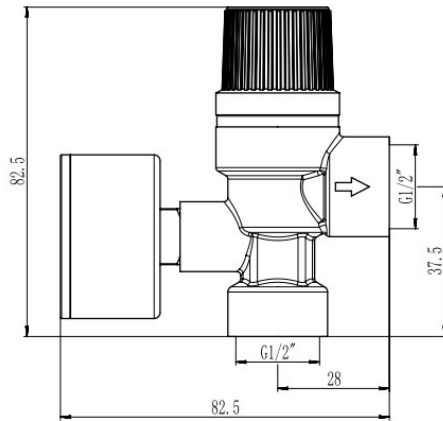
- *Boiler Safety Pressure Relief Valve are used in domestic hot water systems to protect the hot water cylinder and in heating systems to protect boiler and other components.*
- *The valve is selected for the required set pressure. As the pressure rises, when the discharge pressure is reached the valve opens and discharges to atmosphere, preventing the pressure within the system reaching levels which would be dangerous for the boiler, hot water storage cylinder and any personnel in the adjacent vicinity.*

General Specifications

| | |
|------------------------|---|
| MPN | ZL-717-1/2Fx1/2F(3bar) |
| Maximum Set Pressure | 3 bars |
| Thread Size | 1/2 in |
| Body Material | Brass |
| Diaphragm | EPDM elastomer |
| Seal | EPDM |
| Spring | Spring steel wire - corrosion protected |
| Cap Material | PA 66 |
| Operating temperature: | 0~100°C |
| Applicable medium | water |

Approvals

| | |
|-----------------|----------|
| Thread standard | ISO228-1 |
|-----------------|----------|



Similar Products

| Stock No. | Brand | Product Name | Maximum Set Pressure | Thread Size | Gender |
|-----------|--------|------------------------|----------------------|-------------|-----------|
| 0429642 | RS PRO | ZL-717-1/2Fx1/2F(3bar) | 3 Bar | 1/2 in | 1/2Fx1/2M |
| 0429639 | RS PRO | ZL-717-1/2Fx1/2M(3bar) | 3 Bar | 1/2 in | 1/2Fx1/2F |
| 0429643 | RS PRO | ZL-717-1/2Fx1/2F(6bar) | 6 Bar | 1/2 in | 1/2Fx1/2F |
| 0429641 | RS PRO | ZL-717-1/2Fx1/2M(6bar) | 6 Bar | 1/2 in | 1/2Fx1/2M |

Connection Diagrams / Assembly Diagrams / Illustrations / Accessories