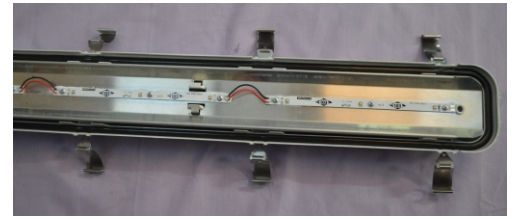
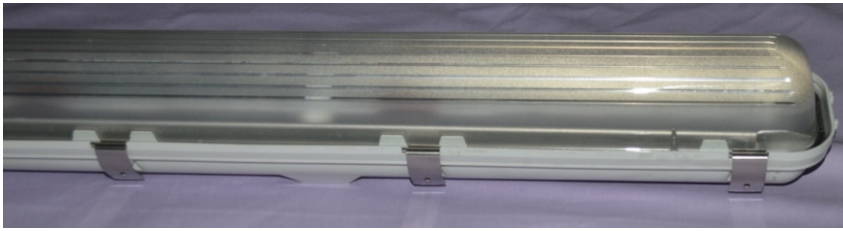




EDL Lighting Ltd



Version: LED Energy Efficient Linear Bulkhead

RS Order Code: 794-3484

The IP67 Linear LED bulkhead replaces the T5/T8 5 foot fluorescent. Applications include industrial lighting, car parks, warehouses, subways, tunnels and food industry and can be used in areas where dust and water are present. The unit uses significantly less energy than a conventional fluorescent luminaire, up to 70% saving when compared to traditional magnetic ballasts solutions. The LED light is flame retardant, corrosion resistant and manufactured from impact resistant polycarbonate fitted with stainless steel retention clips. Fitted with a bespoke gear tray specially designed to maximise the light distribution from the high output long life Osram LED's

Technical Data:

Lamp type:	Osram LED 18 x 1w (Osram Osram Power Star Ultra White)
Light Colour:	6-6500k
Cri:	cri>90
Ballast/Driver:	Electronic 230/240v 50/60 Hz Non-dimmable
Luminous flux:	1900 lm
Luminaire efficacy:	106 lm/w
Working Temp:	-25 deg C to +40 deg C

Technical description:

Moisture proof luminaire with prismatic diffuser

Body made of flame resistant light grey impact resistant polycarbonate

Diffuser made from highly transparent UV stabilised polycarbonate with internal longitudinal prisms

Non-ageing polyurethane foam gasket

Mounting methods:

Direct to wall or ceiling (vertical and horizontal)

With clip for ceiling installation

Pendant suspension

Trunking or rails

EDL Lighting Limited, Redbrook lane, Brereton, Rugeley, Staffs WS15 1QU

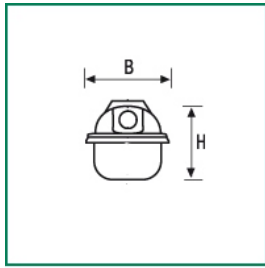
Telephone: +44(0)1889 582112

Fax: +44(0)1889 584012

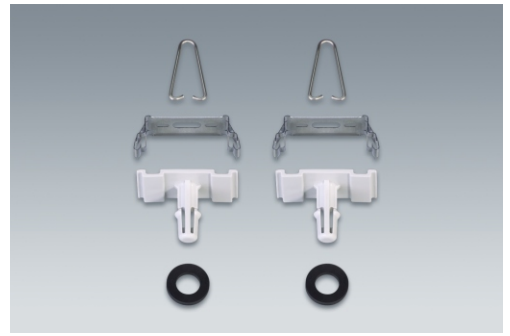
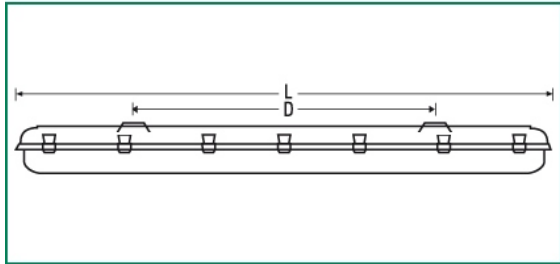
Email: sales@edl-lighting.co.uk Website www.edl-lighting.co.uk



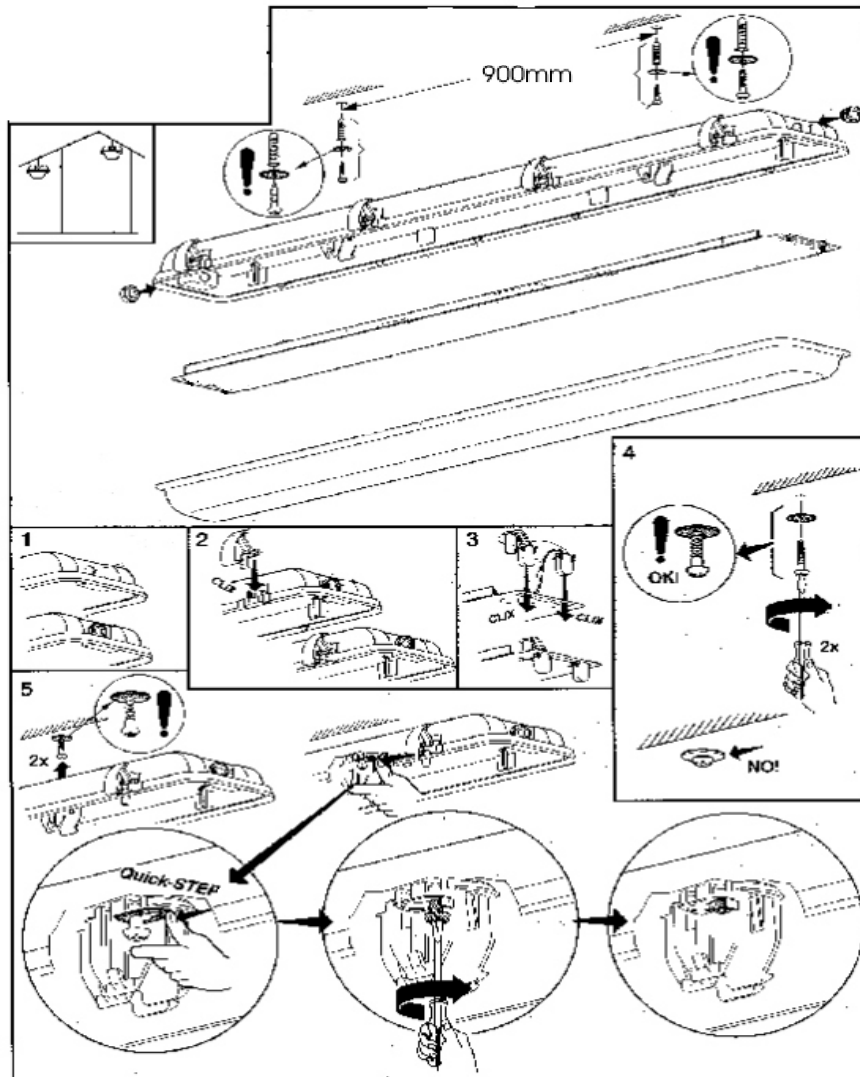
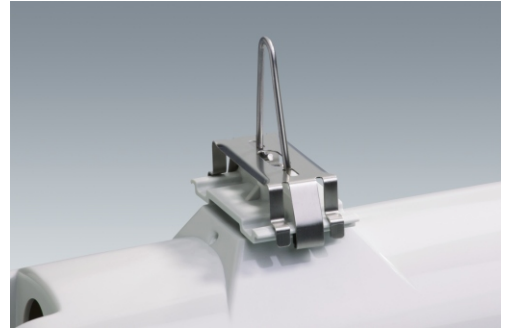
EDL Lighting Ltd



B = 105
H = 111
L = 1583
D = 90



Suspension Kit



EDL Lighting Limited, Redbrook lane, Brereton, Rugeley, Staffs WS15 1QU

Telephone: +44(0)1889 582112

Fax: +44(0)1889 584012

Email: sales@edl-lighting.co.uk Website www.edl-lighting.co.uk