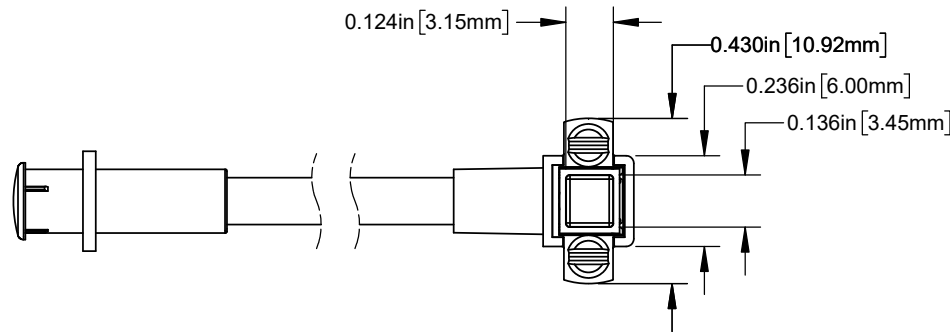
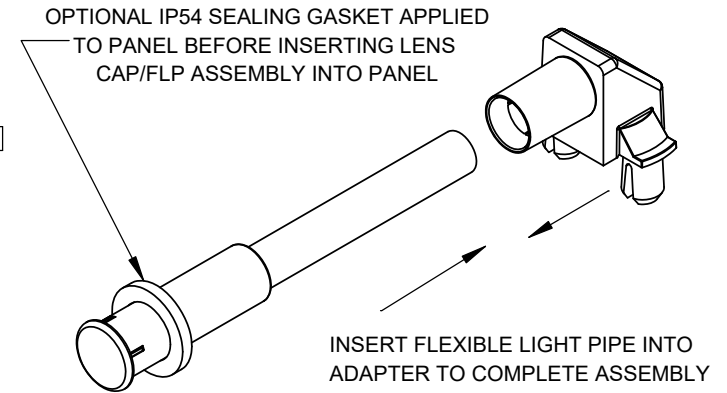
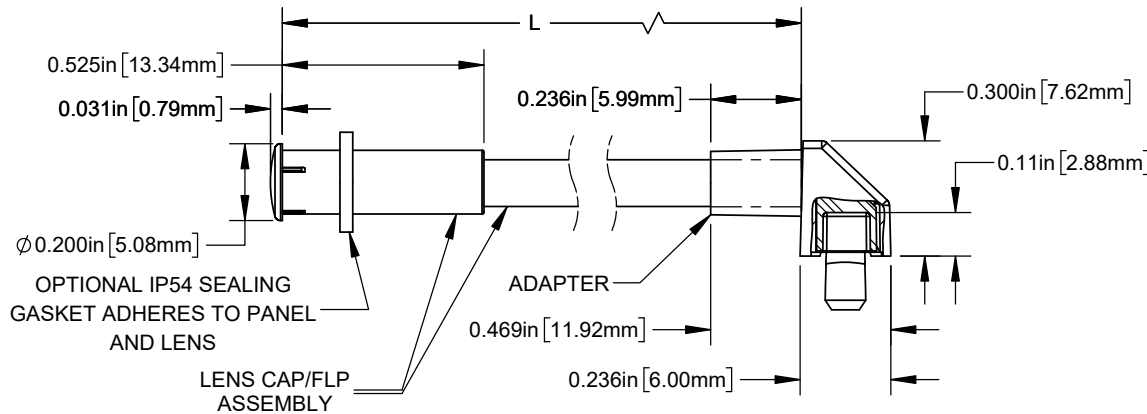


**NOTES:**

1. ALLOWABLE FLEXIBLE LIGHT PIPE CUT LENGTH AVAILABLE IN INCREMENTS OF 0.05".
2. MINIMUM BEND RADIUS OF FLEXIBLE LIGHT PIPE: 1.22" [31mm].
3. COMPONENTS SHIPPED NON-ASSEMBLED.
4. SEE SHEET 2 FOR DETAILED ASSEMBLY INSTRUCTIONS TO ACHIEVE OPTIMUM FUNCTION OF SEALING GASKET

REVISIONS			
REV.	DESCRIPTION	DATE	APPROVED
A	Engineering Release	3/1/2022	A.V.



**PART NUMBER CONFIGURATOR**

SEE SHEET 2 FOR ORDERING INFORMATION

SZR4-X.XX-F5PX  -X

LENGTH (L)  
(SEE TABLE 1)

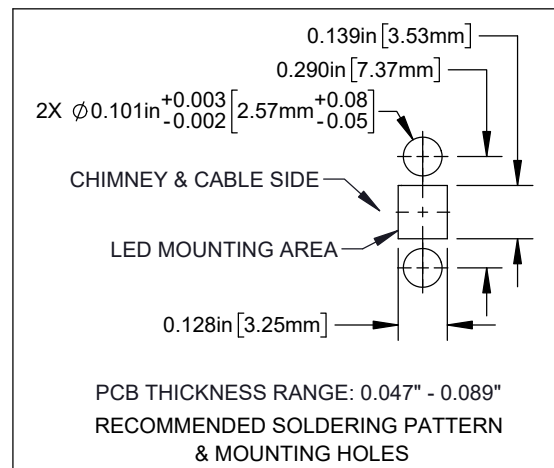
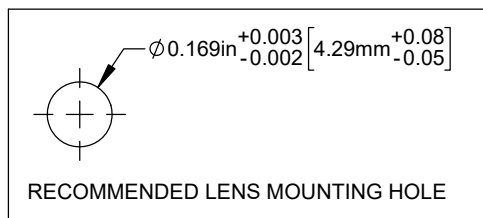
LENS COLOR  
(SEE TABLE 2)

CABLE COLOR  
(SEE TABLE 3)

IP RATING

IP OPTION	CODE
NONE	(BLANK)
IP54	54

**CUSTOMER USE DRAWING**



STANDARD TOLERANCE (UNLESS OTHERWISE SPECIFIED)		 4 THOMAS, IRVINE, CA. 92618 TEL: (949) 951-8808 FAX: (949) 951-3974			
DECIMALS	ANGULAR				
.X ± .1	X° ± 1°	TITLE: FLP ASSEMBLY WITH LOW PROFILE ADAPTER, LC2			
.XX ± .02					
.XXX ± .010		DESIGNED: K. BARON	DATE: 3/1/2022	DRAWING NO: SZR4-X.XX-F5PX-X	REVISION: A
		REVISOR: N/A	DATE: N/A	SHEET SIZE A	CAGE CODE: 32559
		CHECKED: A. VALDEZ	DATE: 3/1/2022	SCALE: 2:1	SHEET # 1 OF 2
CAD GENERATED DOCUMENT, DO NOT MEASURE DRAWING					

TABLE 1 - LENGTH	
LENGTH (L)*	TOLERANCE
1.00" - 16.00"	±0.05"
16.05" - 40.00"	±0.15"
40.05" - 80.00"	±0.30"
80.05" - 3,940.00"	±0.5%

\*AVAILABLE IN 0.05" INCREMENTS

TABLE 2 - LENS	
ORDER CODE	LENS APPEARANCE
(BLANK)	CLEAR
D	DIFFUSED
S	SMOKED
BE	TINTED BLUE
GN	TINTED GREEN
RD	TINTED RED
YW	TINTED YELLOW

TABLE 3 - CABLE	
ORDER CODE	CABLE COLOR
(BLANK)	BLACK
2	RED
4	YELLOW
5	GREEN
6	BLUE
9	WHITE

**SAMPLE PART NUMBER:**

SZR4-11.20-F5PD54-5



**ASSEMBLY INSTRUCTIONS TO ACHIEVE OPTIMUM FUNCTION OF SEALING GASKET:**

- CLEAN PANEL SURFACE AROUND MOUNTING HOLE WITH ALCOHOL
- PEEL LINER OFF TOP OF THE SEALING GASKET WHILE KEEPING SEALING GASKET ON PLASTIC ROLL
- APPLY SEALING GASKET TO PANEL HOLE AS CENTERED AS POSSIBLE AND PEEL PLASTIC LINER SLOWLY AWAY
- INSERT LIGHT PIPE INTO PANEL UNTIL SEALING GASKET MATERIAL IS COMPRESSED BETWEEN LENS AND PANEL
- HOLD FOR A FEW SECONDS TO ENSURE ENTIRE SEALING GASKET ADHERES TO PANEL AND LENS FLANGE SURFACE

**CUSTOMER USE DRAWING**

		<b>BIVAR</b> <sup>®</sup>	
<b>CAGE CODE:</b>	<b>32559</b>	<b>DRAWING NO:</b> SZR4-X.XX-F5PX-X	<b>REVISION:</b> <b>A</b>
<b>SHEET SIZE:</b>	<b>A</b>	SCALE: 2:1	<b>SHEET # 2 OF 2</b>
<small>CAD GENERATED DOCUMENT, DO NOT MEASURE DRAWING</small>			