

## Revisions

ISS	Symbol	Description	Date
B		CHF for New Drawing Frame & New PN System	2008/04/11
B-1		Add Die Set View on Drawing.	2012/03/27

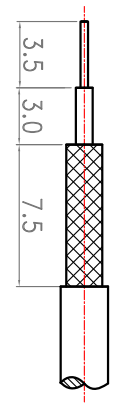
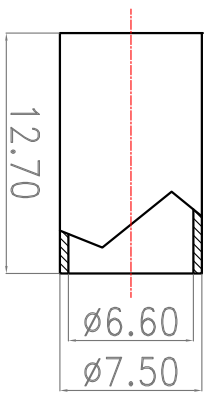
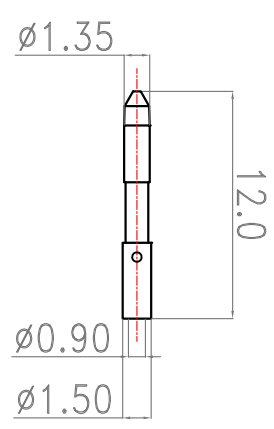
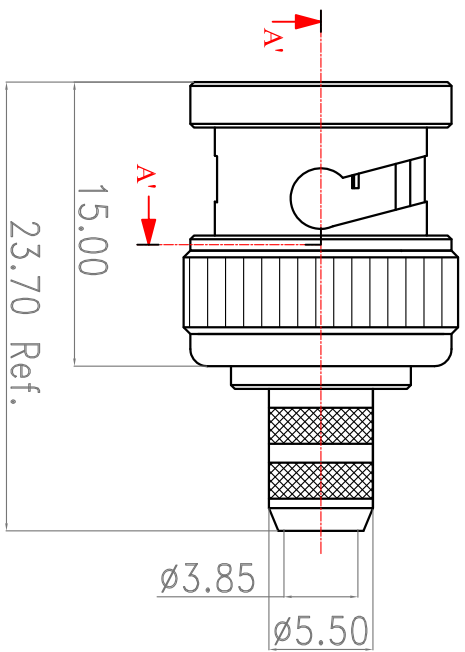
Outline Drawing

### Note :

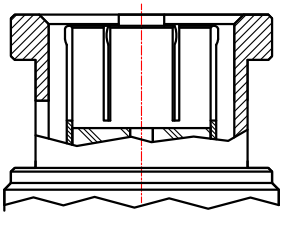
1. Single Crimp: Providing recommended dimensions for ferrule.
2. Dual Crimp: Providing recommended dimensions for ferrule and center pin. Please advise Single/Dual in advance to avoid any inconvenience.
3. Recommended Crimped Hand Tool : for Ferrule P/N - **HT-301V1**



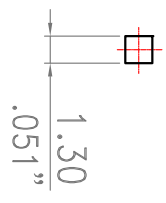
Van Damme code 339-975-300  
RS code 7682173



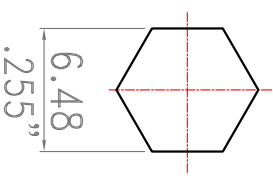
Recommended Cable Stripping Dimensions



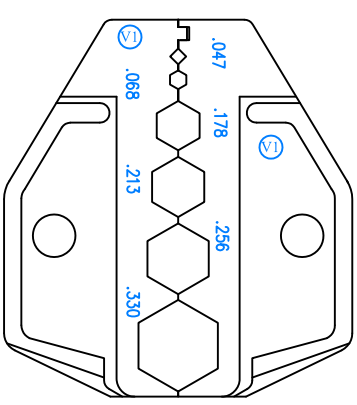
Section A'-A' 75 ohm



Recommended Crimped Dimensions for Center Pin



Recommended Crimped Dimensions for Ferrule



HT-301V1 Die Set with 6 Dies

Scale = 1:2

ROHS COMPLIANCE