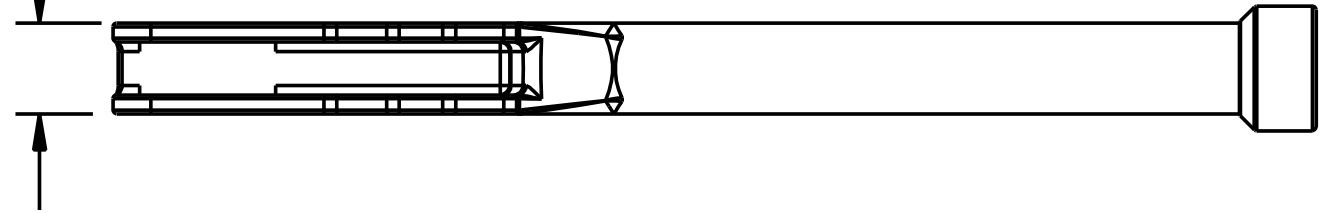
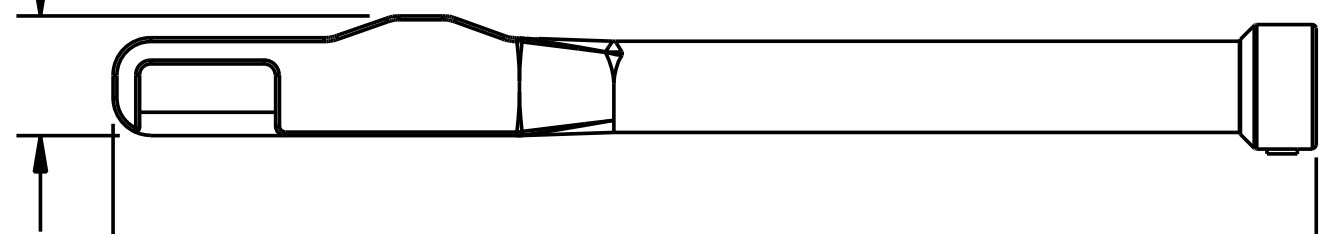


DRAWING REVISIONS			
SYM	DOCUMENT	APP	DATE
A	RELEASE TO PRODUCTION PER D.O. 99-1161		
B	PER ECN# 05A267 2,40 [.09] WAS 2,90 [.11] & NATURAL WAS BLACK	A.C.	5-19 05

2,40
[.09]



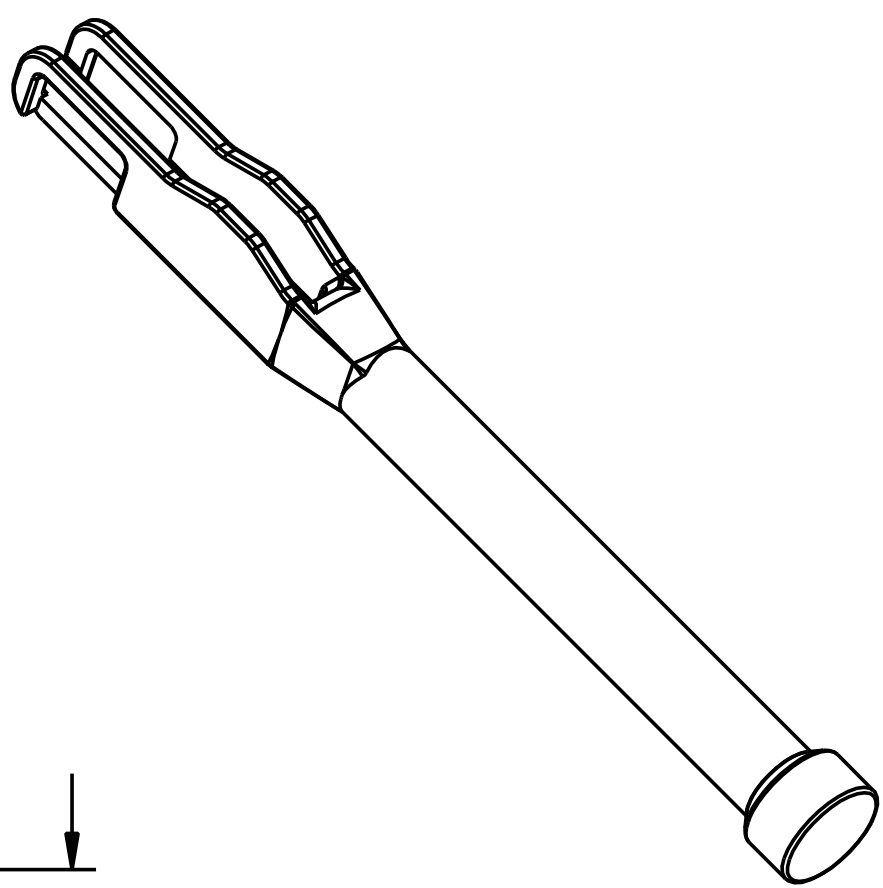
3,17
[.12]



Ø 3,30
[.13]

31,83
[1.253]

ORDER CINCH PART NUMBER : 581 00 00 011



NOTES:

1. STD PACKAGE - 1200 PARTS IN A PLASTIC BAG.
2. ALL DIMENSIONS ARE IN MILLIMETERS, DIMENSIONS IN [] ARE IN INCHES.
3. ALL DIMENSIONS ARE FOR REFERENCE ONLY.
4. MATERIAL: GLASS FILLED POLYMER, COLOR NATURAL.

METRIC		PRO/E		Cinch		1700 FINLEY RD LOMBARD, IL. 60148	
DO NOT SCALE DRAWING		DRAWN BY A. CAINES	DATE 01/25/01	TITLE SEAL PLUG			
		DESIGN ENGINEER A. CAINES	01/25/01	MATERIAL SEE NOTE 5		CONTROL SPEC NUMBER	
		DESIGN ENGINEERING MGR. G. GUARIN	01/25/01	MATERIAL SPEC NUMBER 0014-113-281	FINISH	PROJECT NUMBER A14243	
THIS DOCUMENT IS THE PROPERTY OF CINCH. NEITHER THIS DOCUMENT NOR ANY OF THE INFORMATION CONTAINED IN IT MAY BE DUPLICATED OR DISCLOSED WITHOUT PRIOR WRITTEN CONSENT OF CINCH.		MFG. ENGINEERING -	-	CAD FILE NUMBER 581000011S	DRAWING NUMBER 581 00 00 011S		
QUALITY ASSURANCE -		-	-	CAGE IDENT. NO. SIZE 71785 B	SCALE 5.000:1	SHEET 1 OF 1	