

HOT FEED

Information on New Products from Cole Hersee Company

NEW

Sealed Key Switch with integral connector

- Engineering thermoplastic construction.
- Fully sealed contact area using O-rings and ultrasonic welding.
- Integral sealed Deutsch connector.
- Anti-restart option.

Features and Specifications

- Contact rating: 10A at 12V DC.
5A at 24V DC.
- Sealed: Contacts sealed front and back to IP67 (with connector installed.)
- Hardware: Plastic facenut and nickel-plated brass backing nut.
- Tested to SAE J259 for ignition switches.
- Supplied with two matching keys, with or without boot.
- Custom logo can be molded on the boot.
- Multiple key codes or keyed alike available.

95060 Series

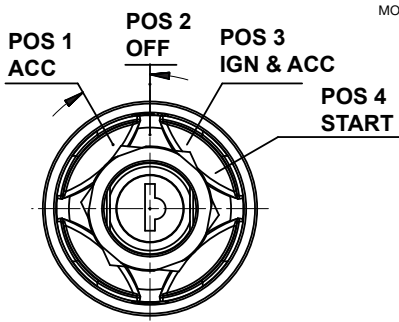


Functions and Circuits Available

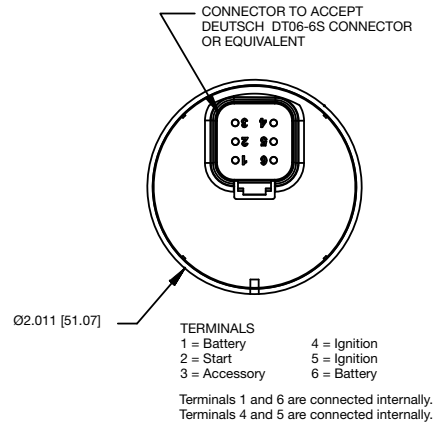
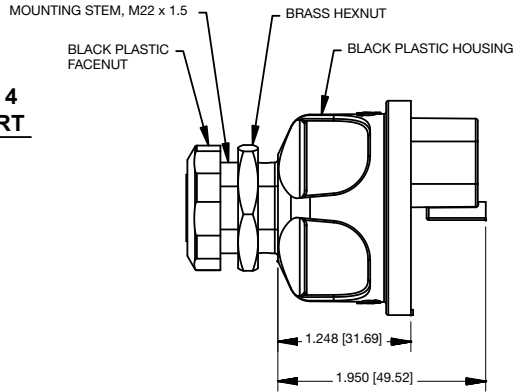
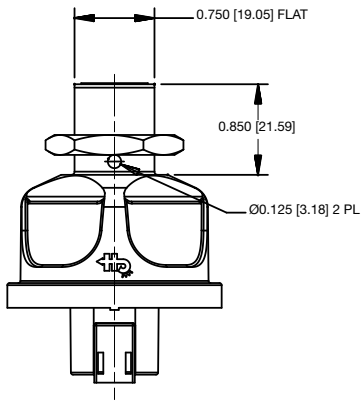
Part Number		Positions				Spring Return*	With Key boot	With Anti-Restart
95060	4	<i>Acc</i>	<i>Off</i>	<i>Ign/Acc</i>	<i>Start</i>	Yes	Yes	—
95060-01	4	<i>Acc</i>	<i>Off</i>	<i>Ign/Acc</i>	<i>Start</i>	Yes	Yes	Yes
95060-02	4	<i>Acc</i>	<i>Off</i>	<i>Ign/Acc</i>	<i>Start</i>	—	Yes	—
95060-03	3		<i>Off</i>	<i>Ign/Acc</i>	<i>Start</i>	Yes	Yes	—
95060-04	3		<i>Off</i>	<i>Ign/Acc</i>	<i>Start</i>	Yes	Yes	Yes
95060-05	3		<i>Off</i>	<i>Ign/Acc</i>	<i>Start</i>	—	Yes	—
95060-06	3	<i>Acc</i>	<i>Off</i>	<i>Ign/Acc</i>		—	Yes	—
95060-07	2		<i>Off</i>	<i>Ign/Acc</i>		—	Yes	—

Key is removable only at the Off position. *Spring return is to Ign/Acc position

Switch Dimensions

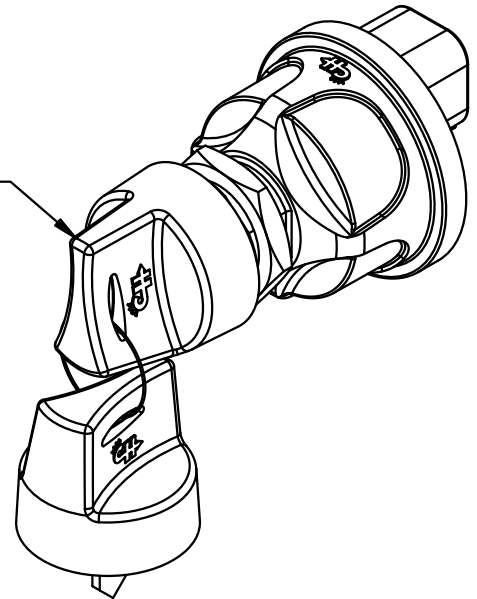


4-position model shown



With Key Boot

2 DOUBLE BITTED BOOTED KEYS RINGED, BLACK



Without Key Boot

2 DOUBLE BITTED KEYS RINGED

