



## RUBBER ANTENNA RRST-W2A1-5008-23M-FY-001



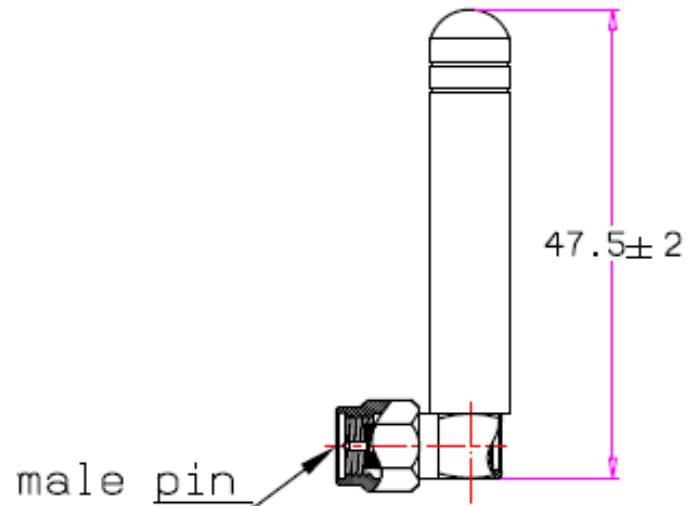
### ■ SPECIFICATION

PARAMETERS	VALUE
Frequency Range	2400.000 ~ 2500.000 MHz
Gain	1~2 dBi
Impedance	50 $\Omega$
VSWR, max	2
Return Loss, max	-10 dB
Polarization	Linear Vertical
Radiation	Omni-directional
Connector	R/A SMA Male
Length	47.5 $\pm$ 2 mm
Operating Temperature Range	-40 ~ +85°C
Power, max	1 W



## RUBBER ANTENNA RRST-W2A1-5008-23M-FY-001

### ■ MECHANICAL SPECIFICATION



### ■ APPROVAL

RS PRO	
DRAWN BY:	AR, June 15, 2018
APPROVED BY:	CP, June 15, 2018
REVISION:	A, Initial Release