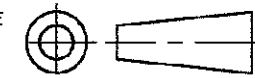


DO NOT SCALE  
DIMENSIONS IN mm

METRIC

THIRD ANGLE  
PROJECTION



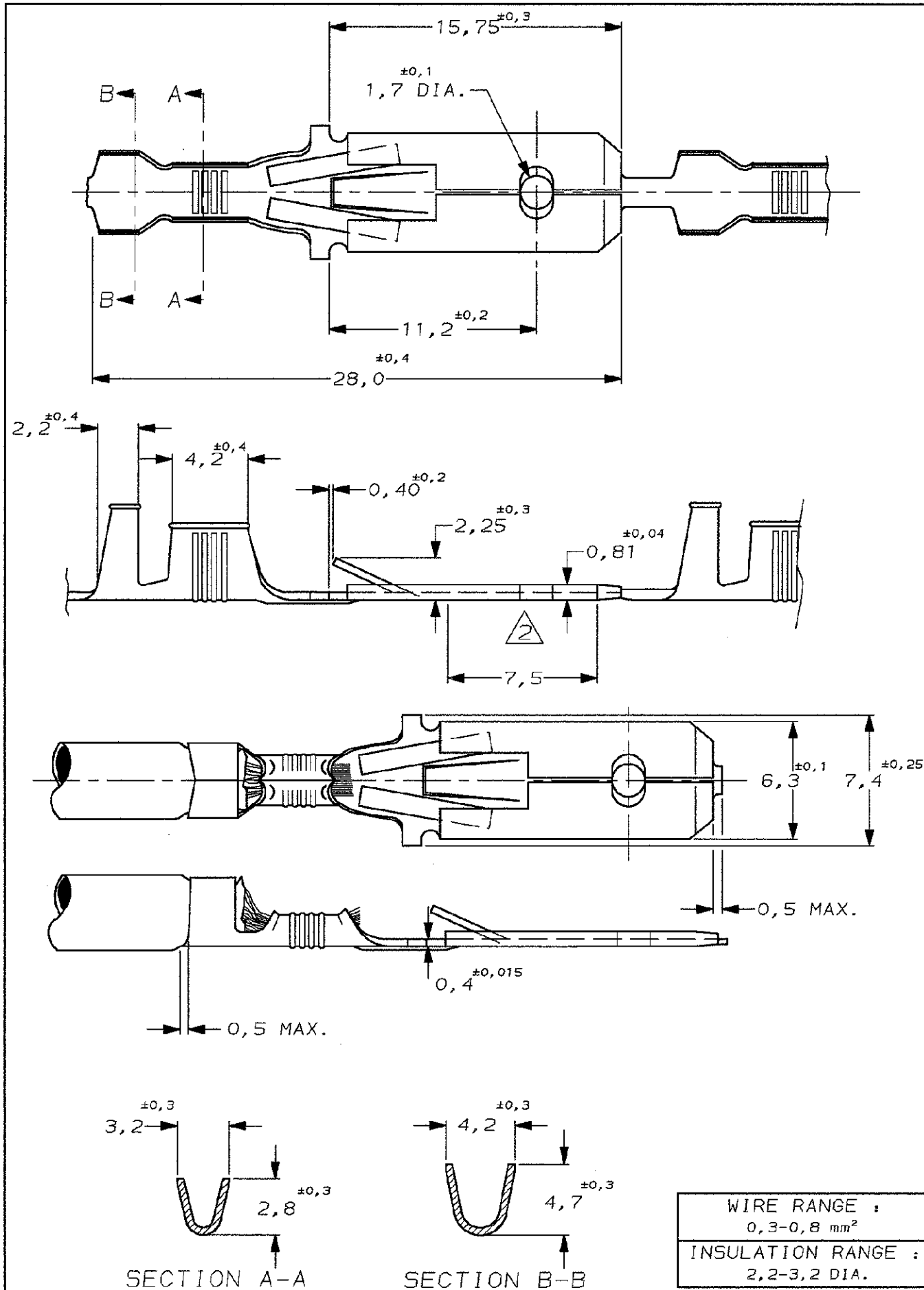
NOTES:

1 FOR USE ON MINIATURE APPLICATORS (LEFT-RIGHT FEED)  
AMP-O-MATOR APPLICATION.

2 DIM 0,81<sup>±0,04</sup> TO BE MEASURED OVER A LENGTH 7,5mm  
AS INDICATED

3 OBSOLETE PARTS: OBSOLETE CIS STREAMLINING PER D.RENAUD/D.SINISI

UNPUBLISHED DRAWING : AMP RIGHTS RESERVED  
This drawing is supplied to.....  
.....for use by  
.....  
or its nominated suppliers for the purpose  
of inspecting AMP-PRODUCTS.  
AMP-HOLLAND B.V.  
DATE.....  
SIGNATURE.....



REV	PER	ECO-10-000444	KK	AEG	09JAN10	NAME	FINISH		MATERIAL		PARTNUMBER	
							UNPLATED	PH. BRONZE	-160645-3-			
							TINPLATED	BRASS	160645-2			
							UNPLATED	BRASS	160645-1			
RESTRICTED CUSTOMER FOR REFERENCE ONLY WILL NOT BE UPDATED							© COPYRIGHT 19- BY AMP HOLLAND B.V. ALL INTERNATIONAL RIGHTS RESERVED. AMP PRODUCTS MAY BE COVERED BY U.S. AND FOREIGN AND/OR PATENTS PENDING. THIS DRAWING IS UNPUBLISHED RELEASED FOR PUBLICATION					
AMP							AMP HOLLAND B.V. 's-Hertogenbosch, The Netherlands.					
01	REV PER	EH-0933-97	D.K.	R.V.	27 AUG 97	.250 SRS FASTIN-FASTON TAB						
LTR. REVISION RECORD							DR.	CHK.	DATE			
DR.: D. KESSLER			CHK.: R. VOS		APP.: -		DWG.No.		REV.LTR.	SHEET	A3	
DATE: 27 AUG 97			DATE: -		DATE: -		C-160645		01	1 OF 1		